

HONDA

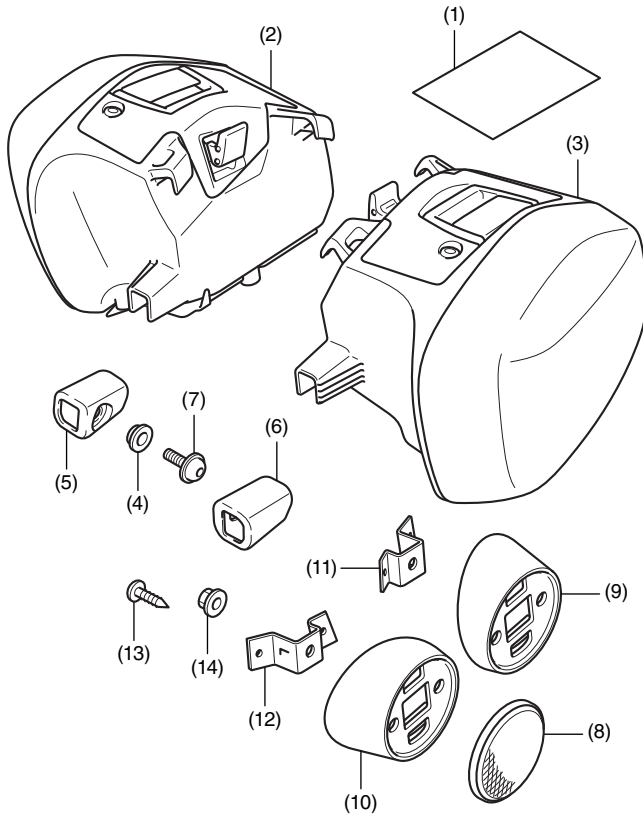
INSTALLATION INSTRUCTIONS

Accessory
SADDLEBAG SET
 (Wave key type)
 P/N 08L70-MJM-A10ZA
 P/N 08L70-MJM-A10ZB

Application
VFR800F/D

Publication No.
MII 14983
 Issue Date
June 2014

PARTS LIST

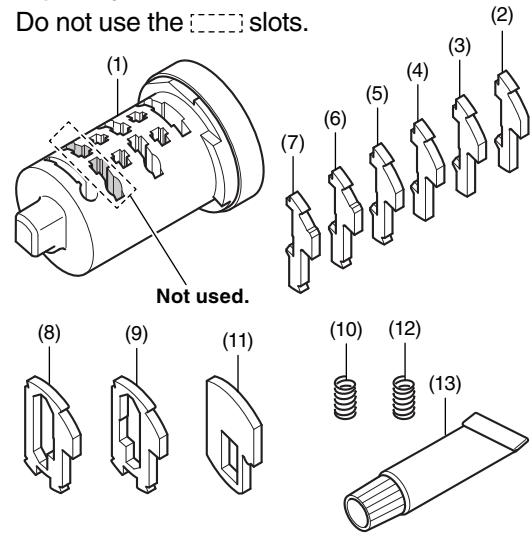


No.	Description	Qty
(1)	Installation Instruction URL	1
(2)	Right saddlebag	1
(3)	Left saddlebag	1
(4)	Collar	2
(5)	Right step rubber	1
(6)	Left step rubber	1
(7)	5 mm socket bolt	2
(8)	Reflector	2
(9)	Right reflector base (with R mark)	1
(10)	Left reflector base (with L mark)	1
(11)	Right reflector bracket (with R mark)	1
(12)	Left reflector bracket (with L mark)	1
(13)	4 mm screw	4
(14)	6 mm flange nut	2

1 KEY INNER CYLINDER (Wave key type)

Sold separately

- Do not use the [] slots.



No.	Description	Qty
(1)	Inner cylinder	1
(2)	No.1 tumbler	6
(3)	No.2 tumbler	6
(4)	No.3 tumbler	6
(5)	No.4 tumbler	6
(6)	No.5 tumbler	6
(7)	No.6 tumbler	6
(8)	Sub-lock tumbler A	1
(9)	Sub-lock tumbler B	1
(10)	Spring (Silver)	13
(11)	Stopper tumbler	2
(12)	Stopper spring (Black)	2
(13)	Grease	1

TOOLS AND SUPPLIES REQUIRED

Socket (10 mm)
 Ratchet
 Hex wrench (3 mm)
 Phillips screwdriver
 Electric drill
 4.5 mm Drill bit (5/32 in)
 Torque wrench

TORQUE CHART

Tighten all screws, bolts, and nuts to their specified torque values. Refer to the Service Manual for the torque values of the removed parts.

Item	N·m	kgf·m	lbf·ft
4 mm screw	1	0.1	0.7
5 mm socket bolt	3.4	0.3	2.2
6 mm flange nut	12	1.2	9

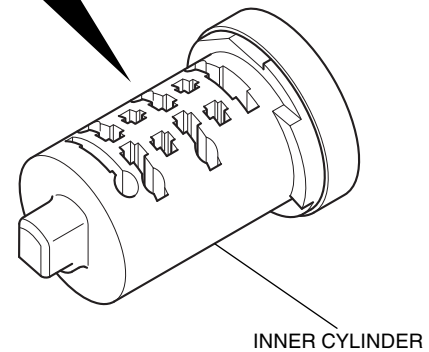
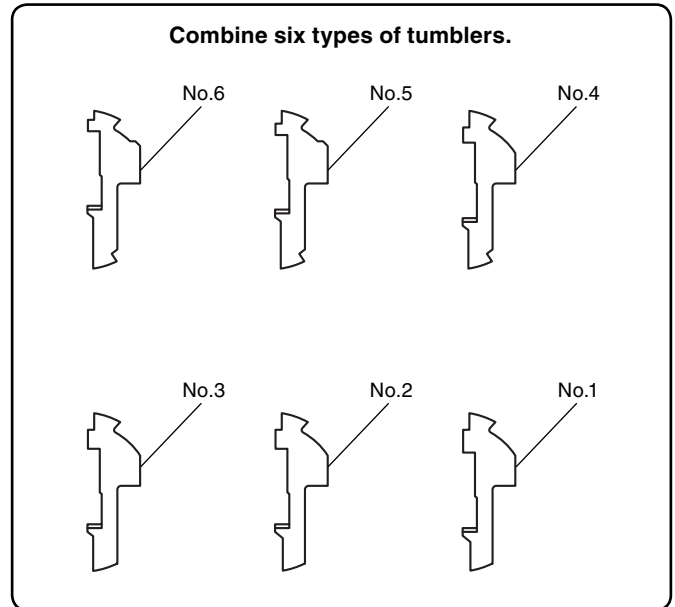
MAXIMUM LOADING CAPACITY

- The weight of the cargo must not exceed the following maximum loading capacity:

Maximum Loading Capacity	
Right saddlebag	13.2 lb (6.0 kg)
Left saddlebag	13.2 lb (6.0 kg)

< Notes regarding the key cylinder >

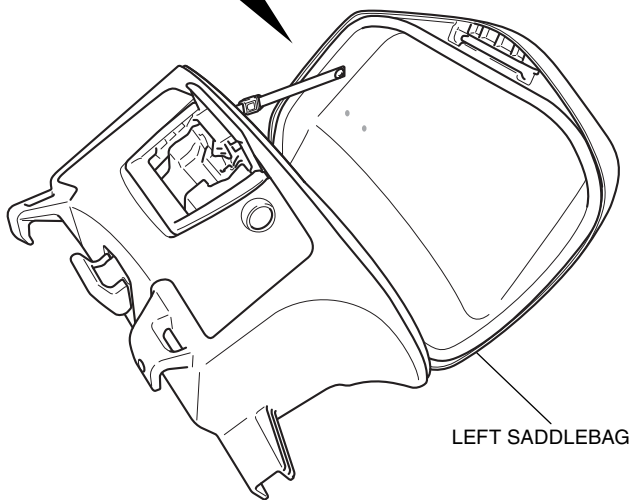
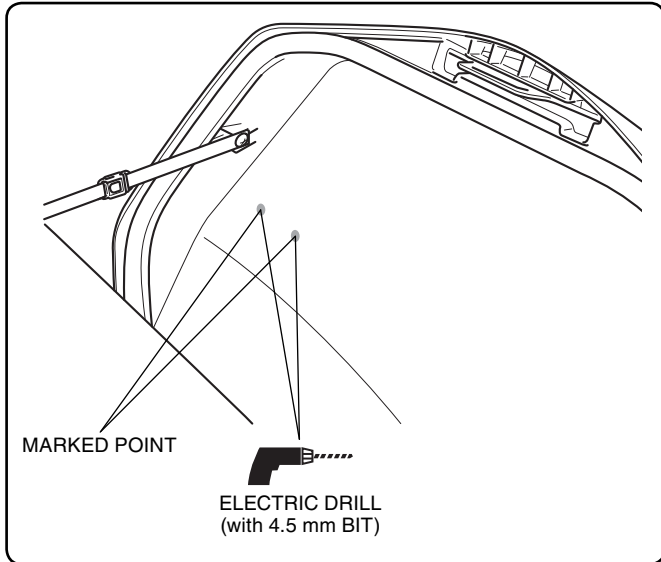
- This product is used to assemble a key cylinder matching the motorcycle key by combining six types of tumblers.
- When this key cylinder is installed in a box or similar equipment, the installed equipment can be operated with the motorcycle key.



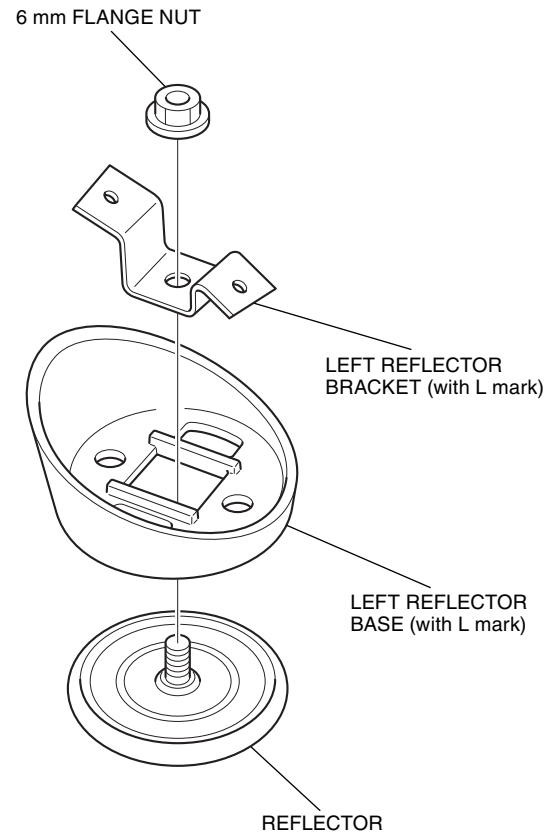
INSTALLATION

▲ CAUTION

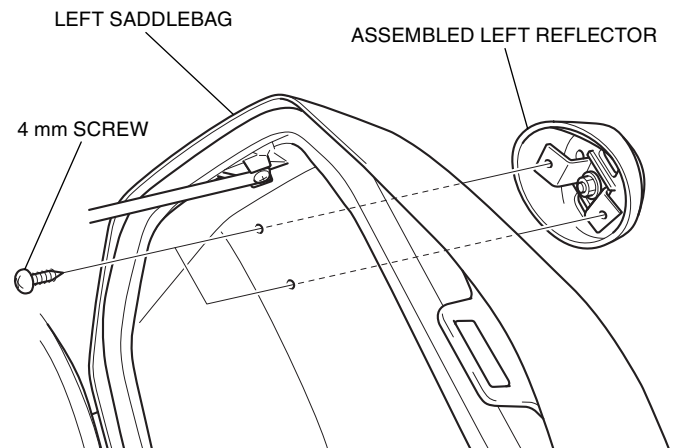
- To prevent burns, allow the engine, exhaust system, radiator, etc., to cool before installing the accessory.
1. Drill the left saddlebag at the marked points shown using an electric drill with a 4.5 mm (5/32 in) bit.
 - **Remove any burrs from the edge of the hole.**



2. Assemble the left reflector as shown.



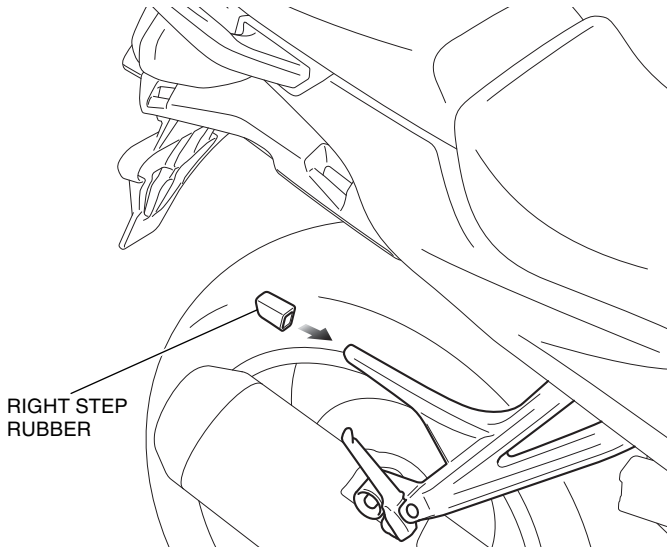
3. Install the assembled left reflector as shown.



4. Repeat Steps 1 through 3 on the right side.

5. Insert the right step rubber as shown.

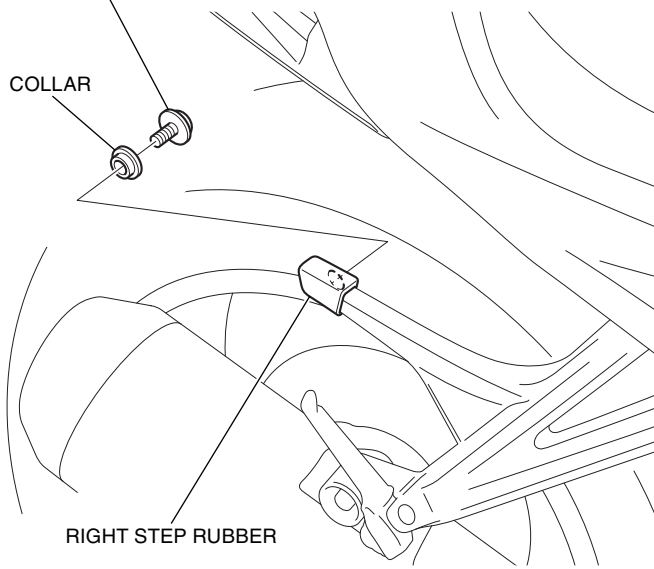
<Right side>



6. Insert and tighten the bolt and collar as shown.

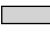
5 mm SOCKET BOLT

COLLAR



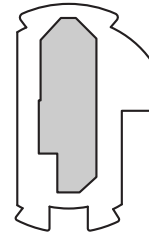
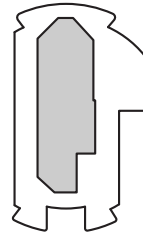
7. Repeat on the left side.

8. The two sub-lock tumbler types shown are provided.

- The  (shaded) area has a different slot for each of the two sub-lock tumbler types.
- As the tumblers are small, keep them in the bag until they are used.

SUB-LOCK TUMBLER A


SUB-LOCK TUMBLER B



The stopper tumbler will be used later.



9. The six tumbler types shown are provided.

- The  (shaded) area has a different width for each of the six tumbler types.
- As the tumblers are small, keep them in the bag until they are used.

No.6

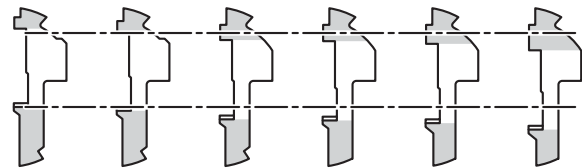
No.5

No.4

No.3

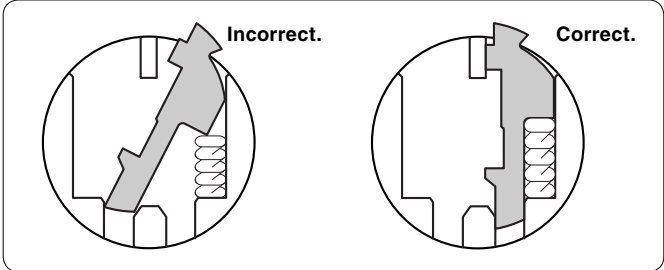
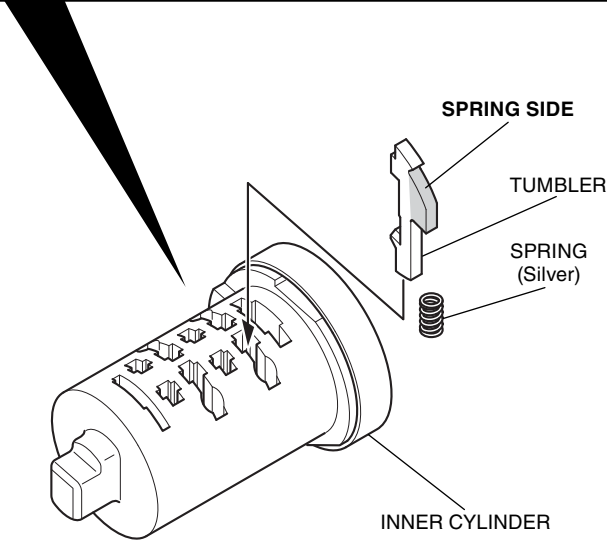
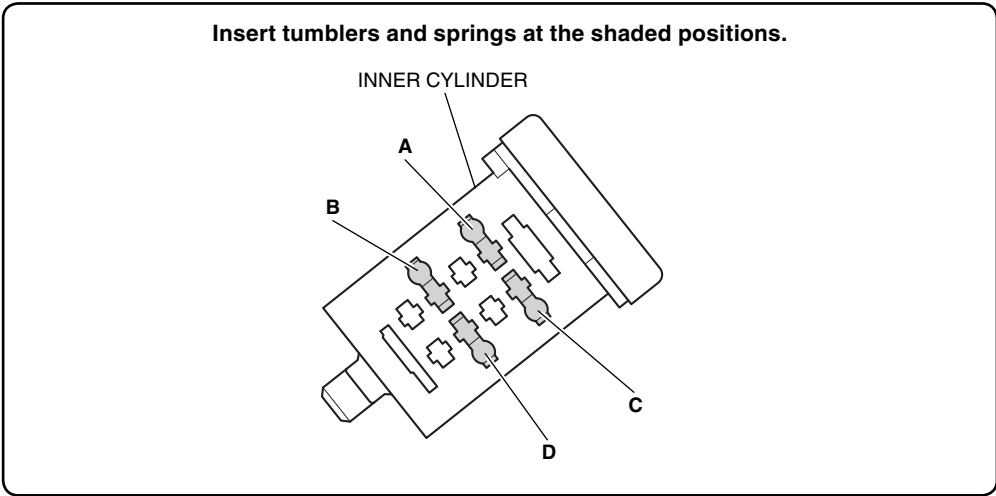
No.2

No.1



10. Apply a small amount of grease to four springs. Install the tumblers and springs (silver) as shown.

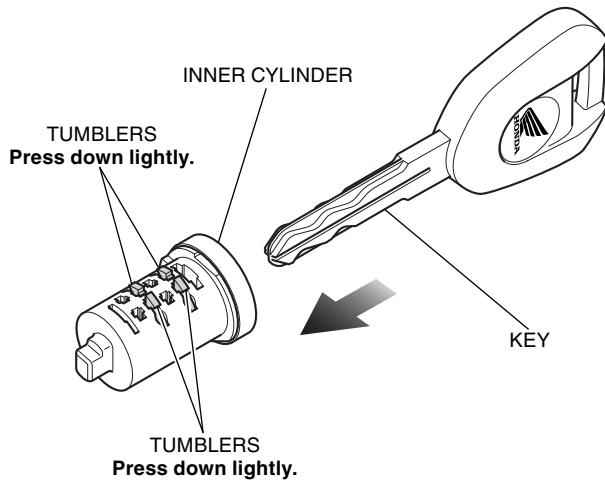
- **First install four No.1 tumblers.**
- **Note the installed tumbler in the chart below.**



	Position A	Position B	Position C	Position D
No.1 tumbler				
No.2 tumbler				
No.3 tumbler				
No.4 tumbler				
No.5 tumbler				
No.6 tumbler				

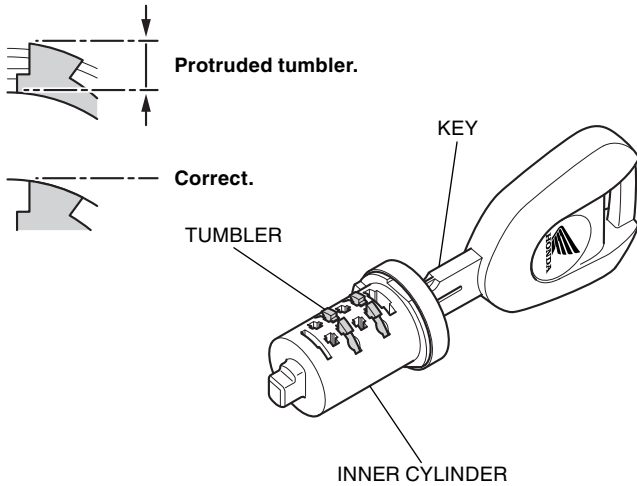
11. Insert the key as shown.

- **Lightly press down on the tumblers from above, then insert the key.**



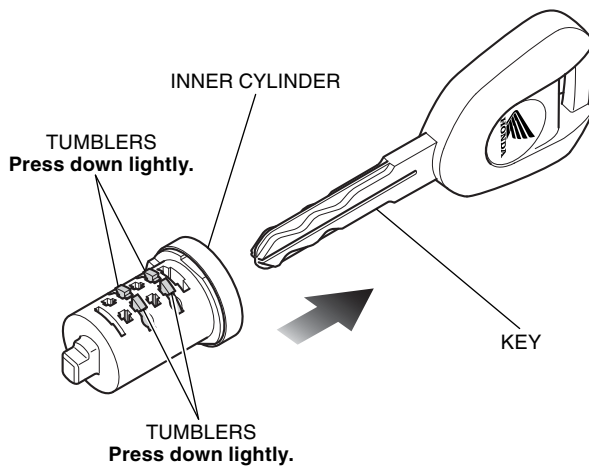
12. Confirm that some tumblers are protruding. Mark the positions of the protruded tumblers.

- **The positions where tumblers protrude and their height differ according to the key.**



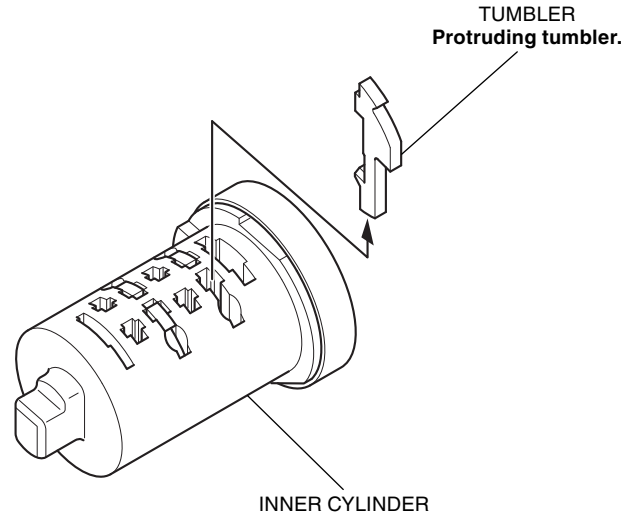
13. Press down lightly on the tumbler, pull the key out.

- **The tumbler spring may jump out when the tumbler is not pressed down lightly.**



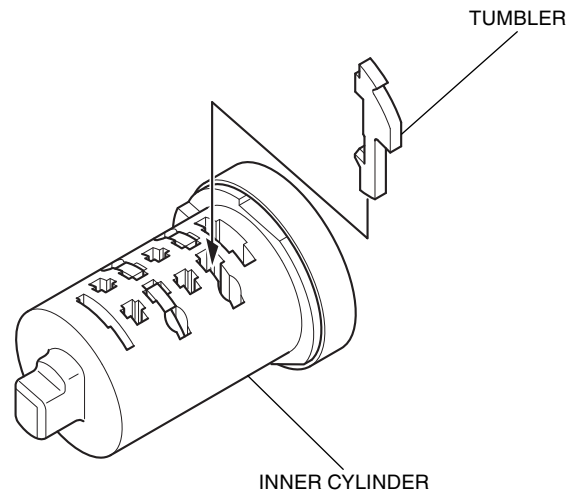
14. Pull out the protruding tumbler(s).

- **Leave the spring(s) installed.**



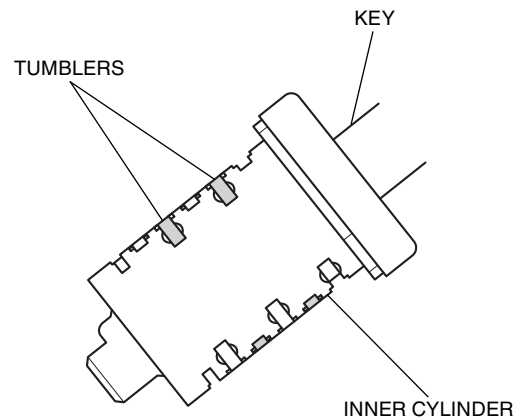
15. Insert a different tumbler(s) at the marked positions.

- **Start with No.2 tumblers and continue sequentially.**



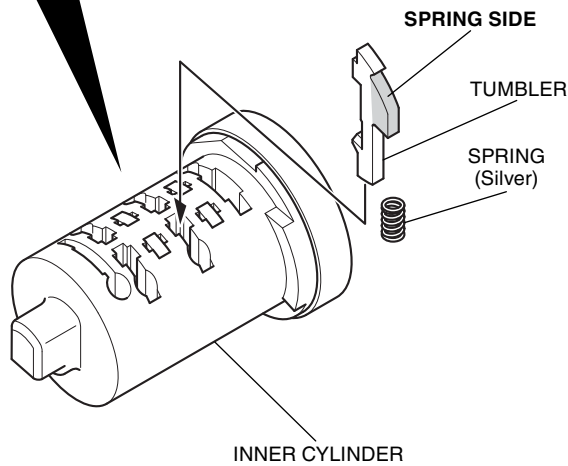
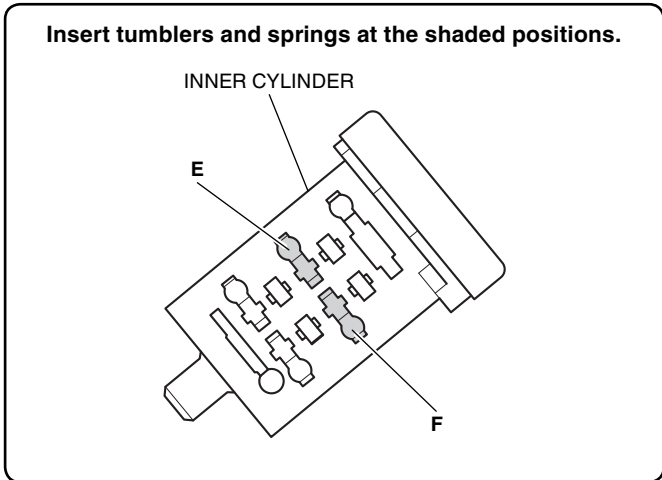
16. Repeat Steps 11 through 15, inserting different tumblers at the marked positions until no tumblers are protruding.

- **Lightly press down on the tumblers from above, then insert the key.**



17. Apply a small amount of grease to four springs. Install the tumblers and springs (silver) to the opposite side inner cylinder as shown.

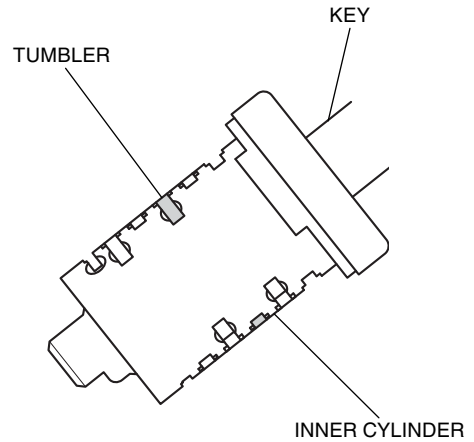
- **First install two No.1 tumblers.**



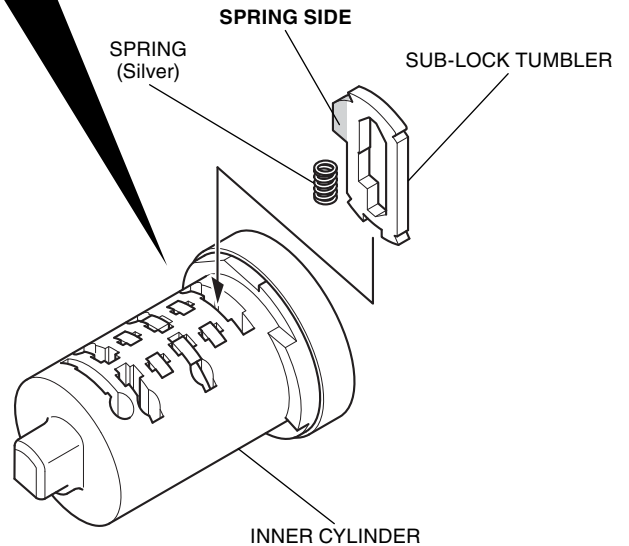
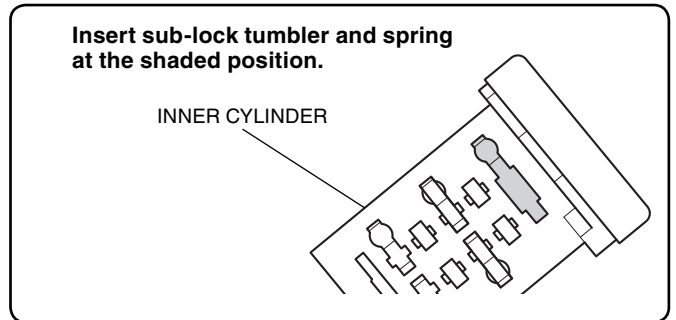
- **Note the installed tumbler in the chart below.**

	Position E	Position F
No.1 tumbler		
No.2 tumbler		
No.3 tumbler		
No.4 tumbler		
No.5 tumbler		
No.6 tumbler		

18. Use Steps 11 through 15 to assemble the opposite side inner cylinder in the same manner.



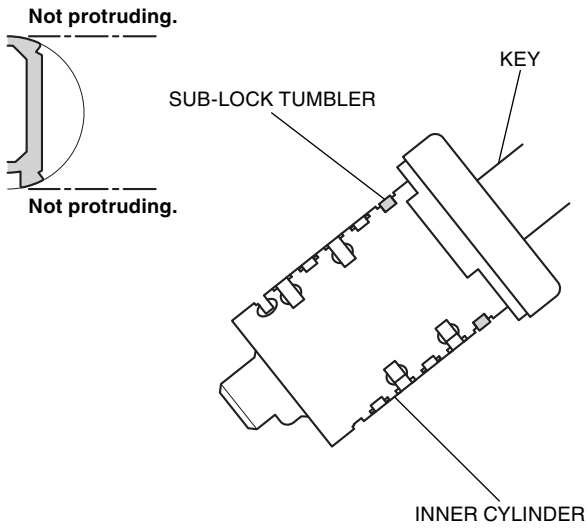
19. Install the sub-lock tumbler as shown.



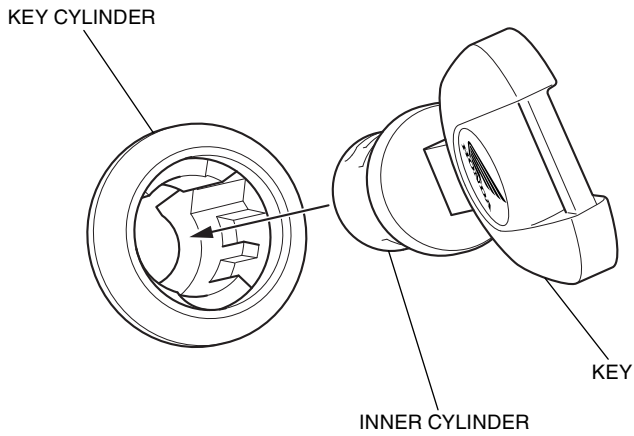
- **Note the installed tumbler to below chart.**

Sub-lock tumbler A	
Sub-lock tumbler B	

20. Confirm that the sub-lock tumbler is not protruding.
- **If the tumbler is protruding, change to another sub-lock tumbler and recheck.**



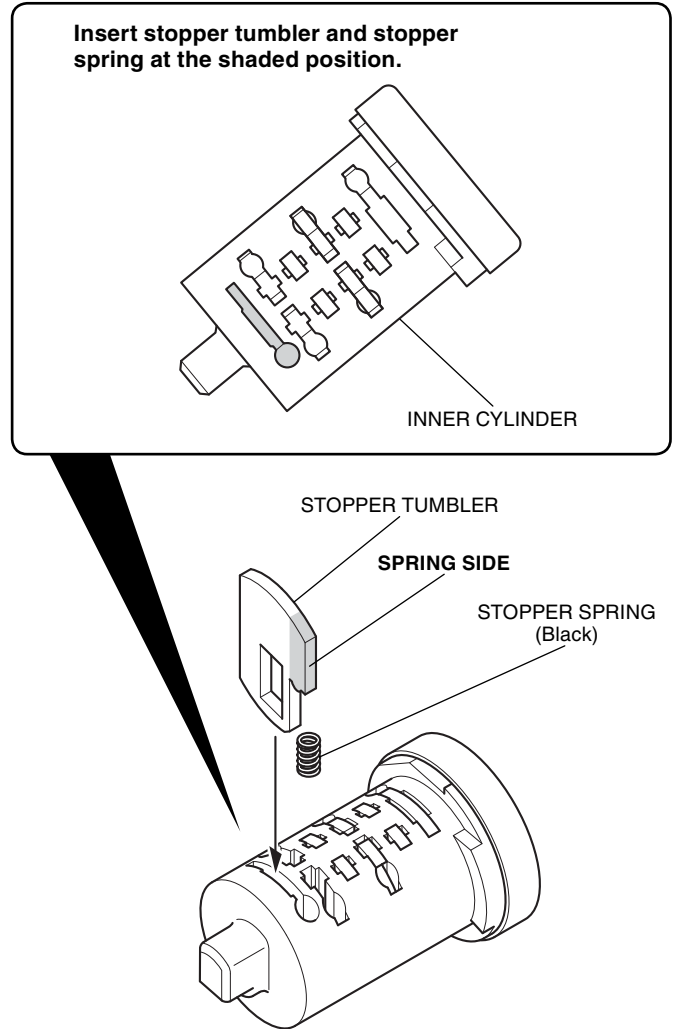
21. Insert the assembled inner cylinder into the key cylinder as shown.
- **Confirm the inner cylinder turns clockwise smoothly.**



22. Pull out the inner cylinder.

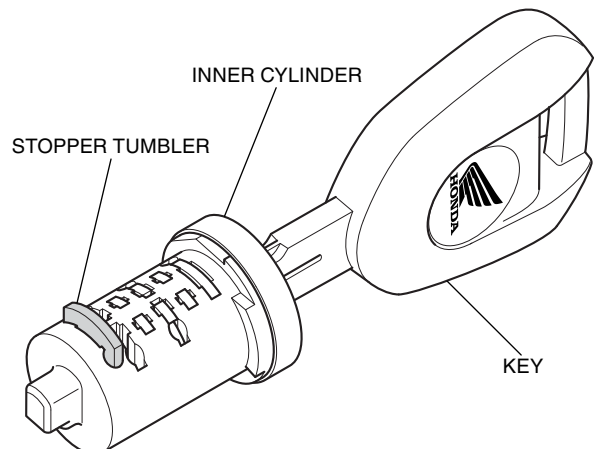
23. Press down lightly on the tumblers and pull out the key.

24. Install the stopper tumbler and stopper spring (black) as shown.



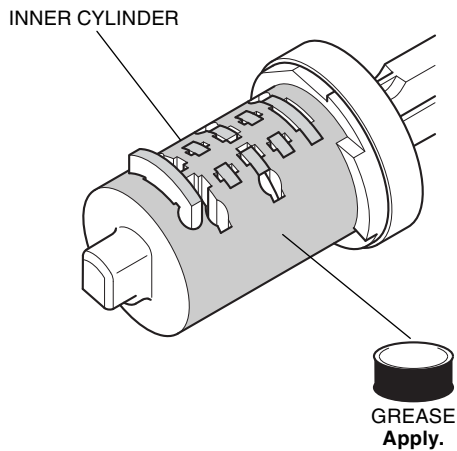
25. Insert the key as shown.

- **Lightly press down on the tumblers from above, then insert the key.**
- **Confirm that the stopper tumbler jumps out.**



26. Apply grease to the shaded areas as shown.

- Apply to the tumbler and to the outer circumference of the inner cylinder.
- Only use the supplied grease.

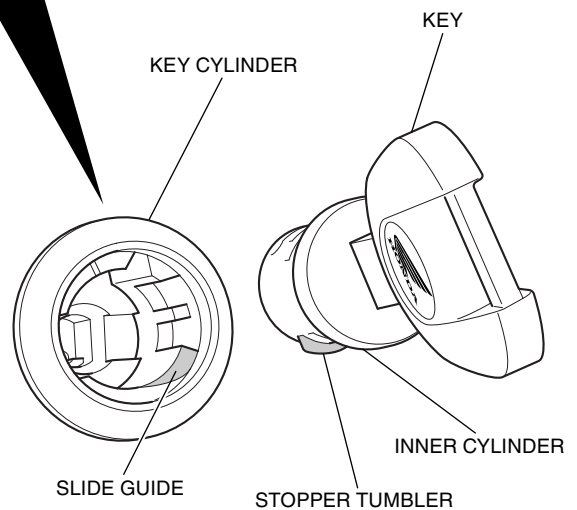


27. Install the inner cylinder by sliding the stopper tumbler along the slide guide while rotating it.

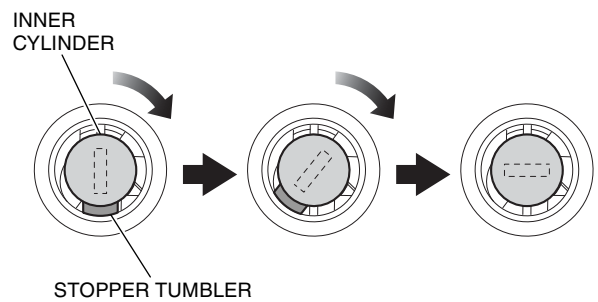
- If the inner cylinder cannot be inserted, again confirm that no tumblers other than the stopper tumbler have jumped out.

Confirm the inner joint  area is properly aligned as shown.

INNER JOINT GROOVE



Push in while turning clockwise.

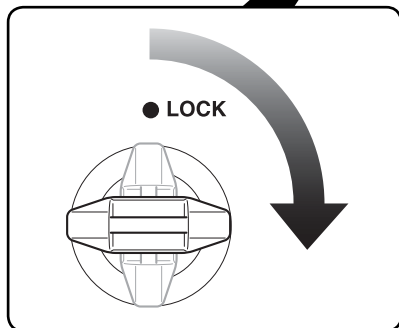
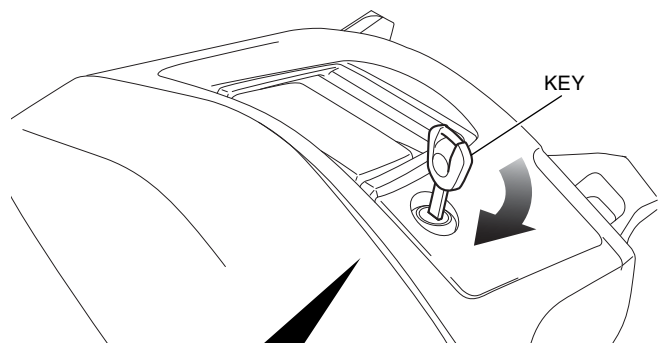


28. Pull out the key and check that the inner cylinder does not come out.

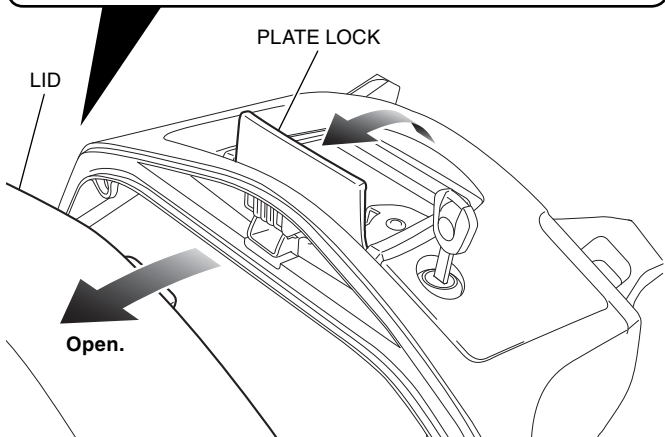
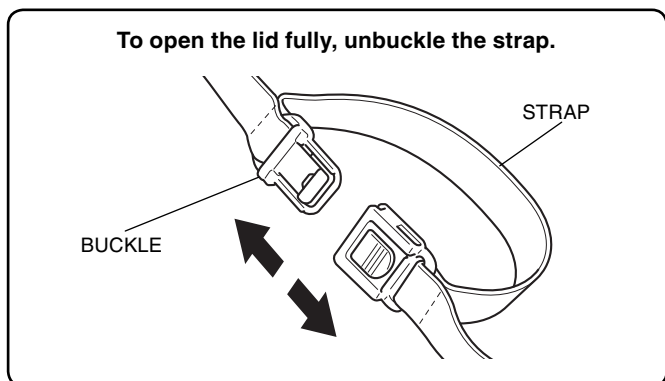
29. Repeat Steps 10 through 28 for the other saddlebag.

How to Open the Saddlebags

1. Release the lock by turning the key clockwise.

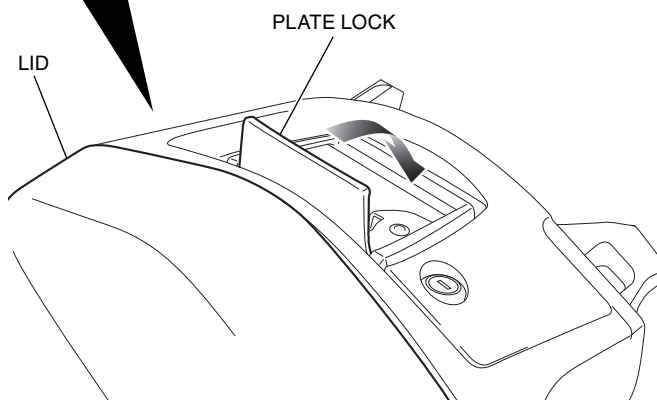
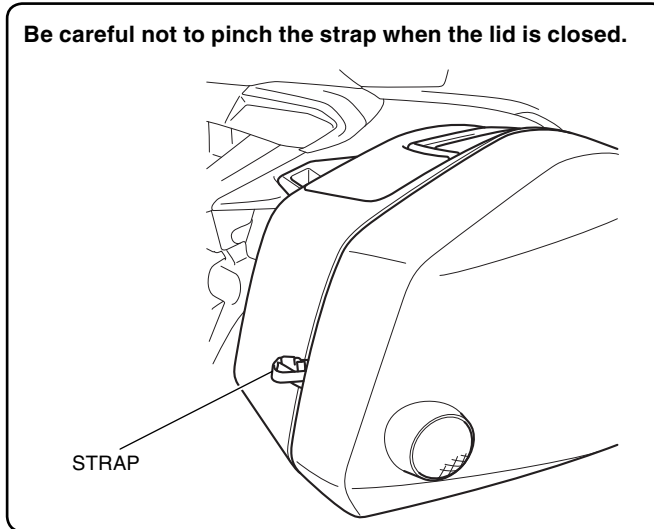


2. Pull the plate lock up until the lid opens.
 - Do not place a heavy object on the opened lid or apply excessive force to the top of the opened lid.

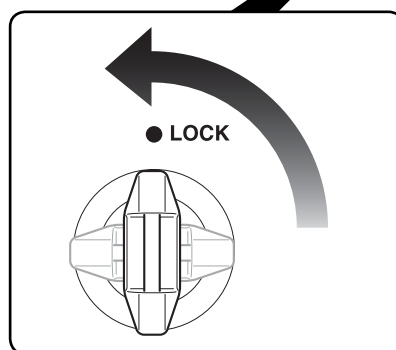
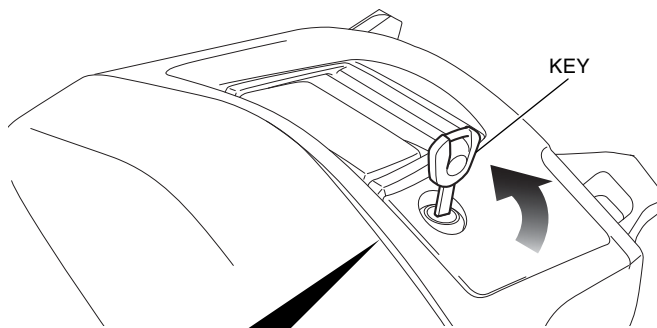


How to Close the Saddlebags

1. Close the lid and lower the plate lock.



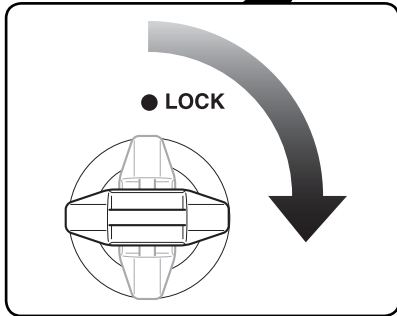
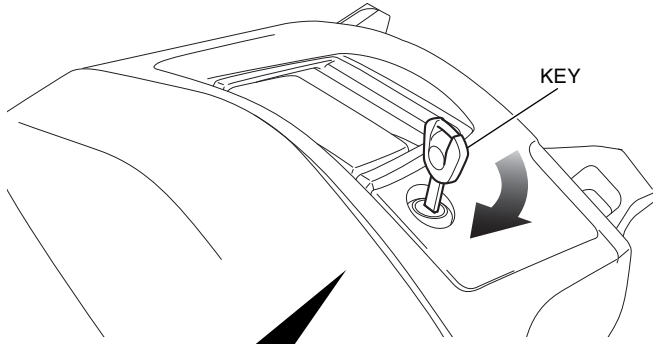
2. Turn the key counter-clockwise as shown to lock.



3. Remove the key.
 - Make sure the plate lock and lid are locked down securely.

How to Install the Saddlebags

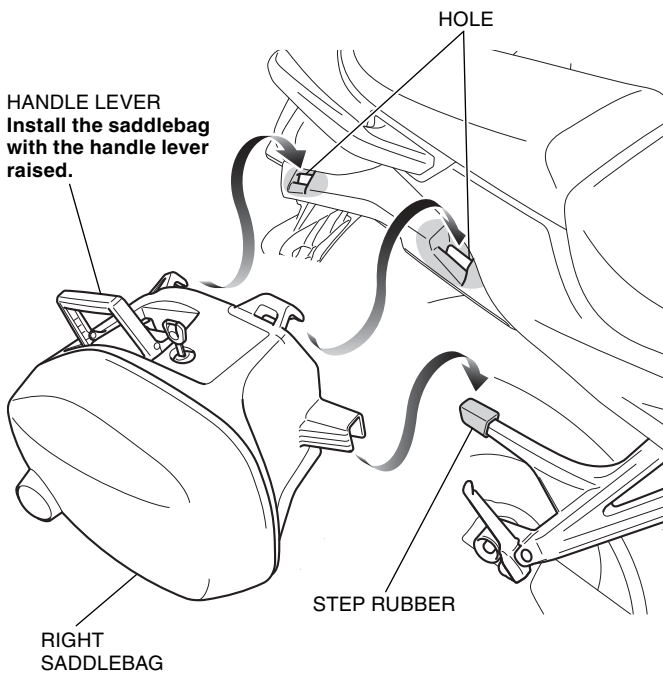
1. Release the lock by turning the key clockwise.



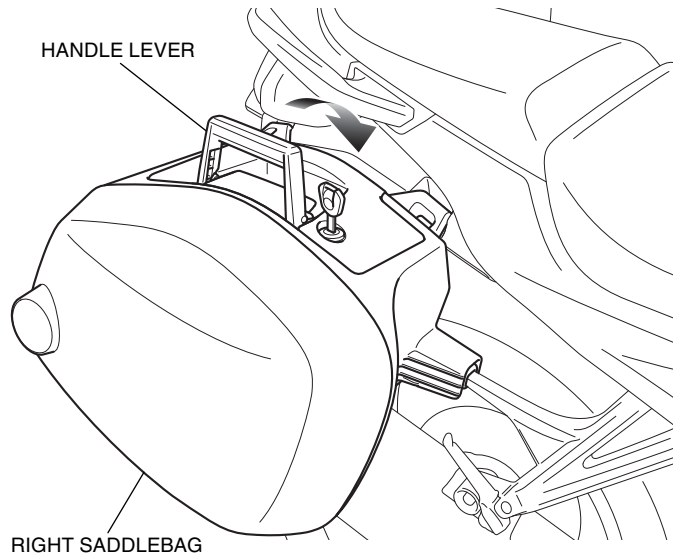
2. Insert the right saddlebag as shown.

- **First engage at the step rubber and then install at the two holes.**

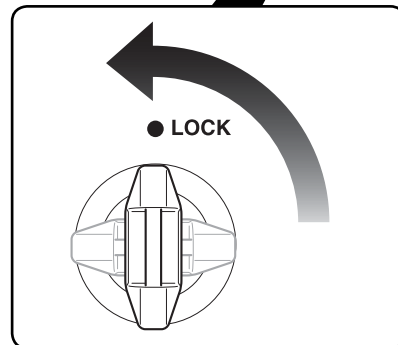
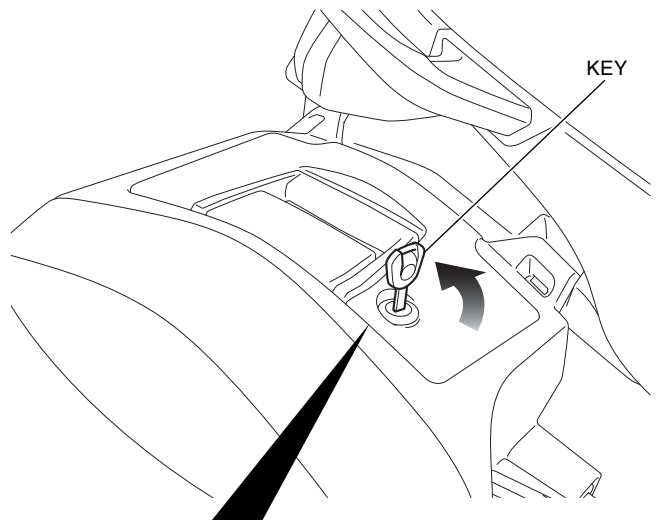
<Right side>



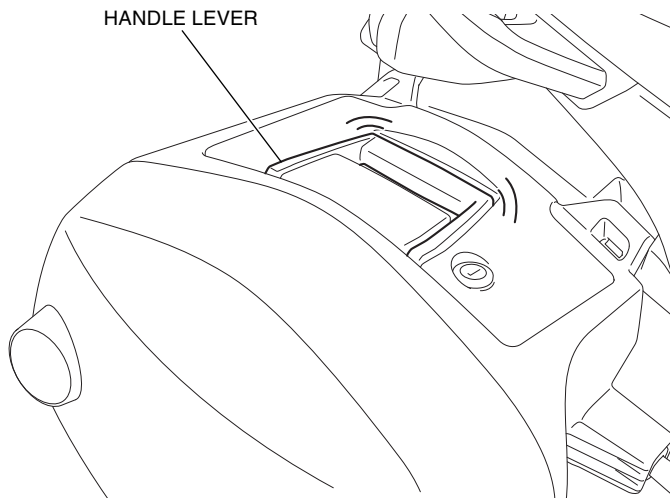
3. Lower the handle lever as shown.



4. Lock the saddlebag by turning the key counter-clockwise as shown.



5. Remove the key. Be sure that the handle lever cannot be released and the saddlebag is installed securely.
 - **The saddlebag can come off while riding if it is not mounted securely.**



6. Repeat on the left side.

How to Remove the Saddlebags

1. Remove the saddlebags in the reverse order of installation.