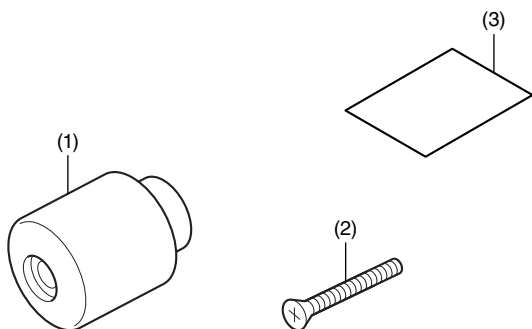


PARTS LIST



No.	Description	Qty
(1)	Chrome bar end	2
(2)	6 mm screw	2
(3)	Installation instructions URL	1

TOOLS AND SUPPLY REQUIRED

Phillips screwdriver

Thread lock

Torque wrench

TORQUE CHART

Tighten all screws, bolts, and nuts to their specified torque values. Refer to the Service Manual for the torque values of the removed parts.

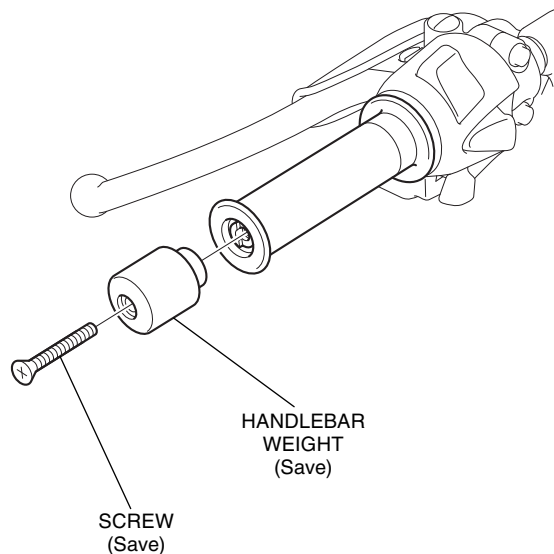
Item	N·m	kgf·m	lbf·ft
6 mm screw	9	0.9	6.6

INSTALLATION

NOTE:

- Take care not to damage the painted surfaces of the motorcycle.

- Refer to the Service Manual for the motorcycle, remove the motorcycle parts as shown.
 - Repeat on the right side.



- Install the accessory chrome bar end as shown.
 - Repeat on the right side.

