



INSTALLATION INSTRUCTIONS

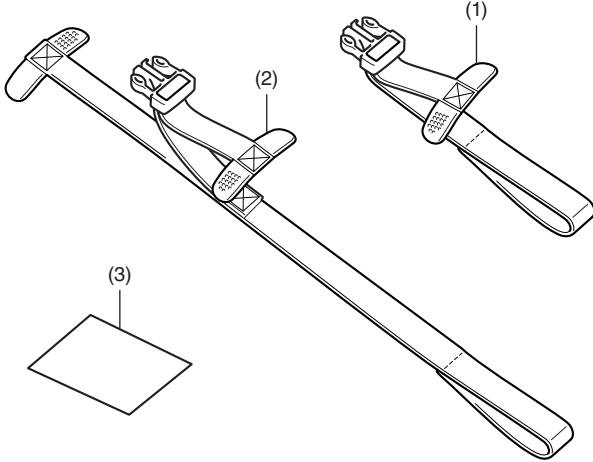
Accessory
SEAT BAG ATTACHMENT
P/N 08L70-MKJ-D00

Application
CB1000RA

Publication No.
MII 16775
Issue Date
August 2018

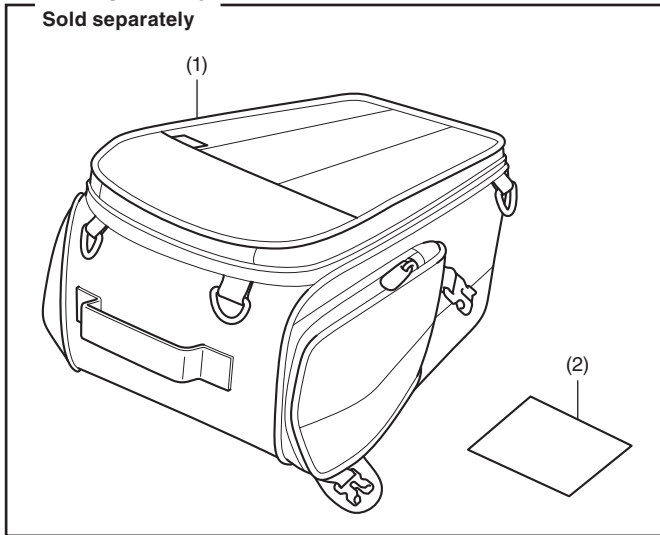
Honda Dealer: Please give a copy of these instructions to your customer.

PARTS LIST



No.	Description	Qty
(1)	Rear strap	2
(2)	Front strap	2
(3)	Installation Instruction URL	1

REAR SEAT BAG Sold separately



No.	Description	Qty
(1)	Rear seat bag	1
(2)	Installation Instruction URL	1

MAXIMUM LOADING CAPACITY

- The weight of the cargo must not exceed the following maximum loading capacity:

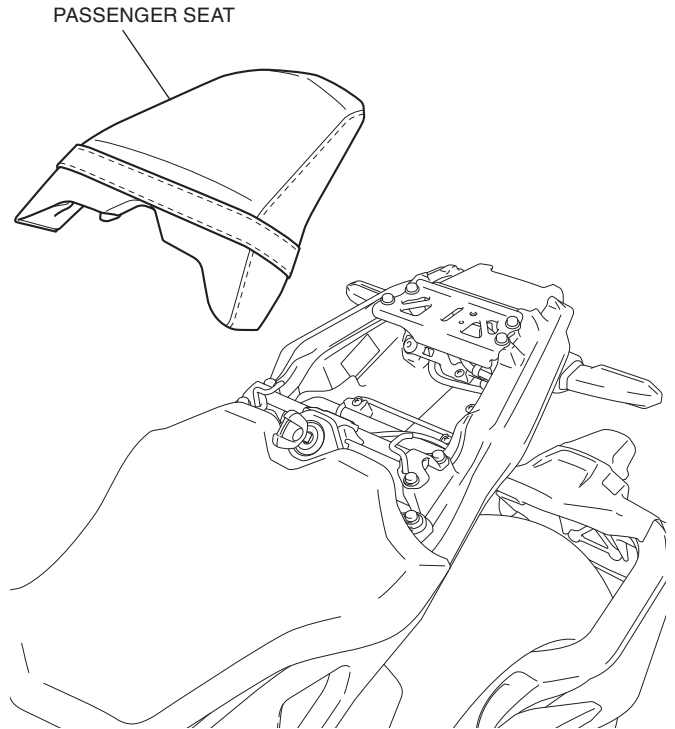
Maximum Loading Capacity	
Rear seat bag	4.0 kg (8.8 lb)

INSTALLATION

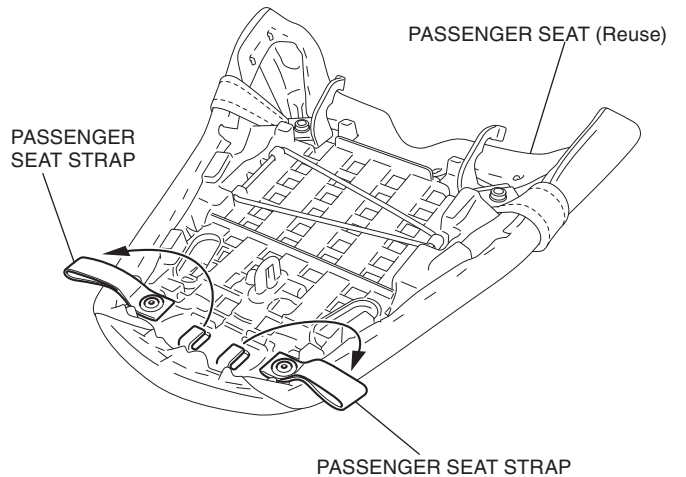
▲ CAUTION

- To prevent burns, allow the engine, exhaust system, radiator, etc., to cool before installing the accessory.

- Remove the passenger seat as shown.



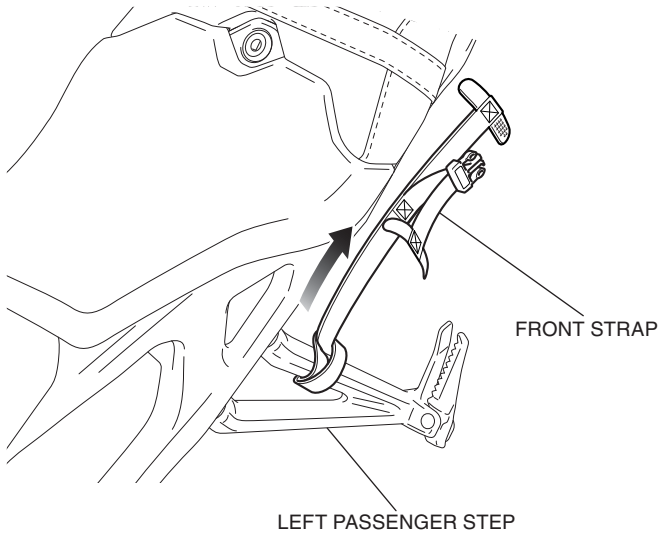
- Pull the passenger seat straps out as shown.



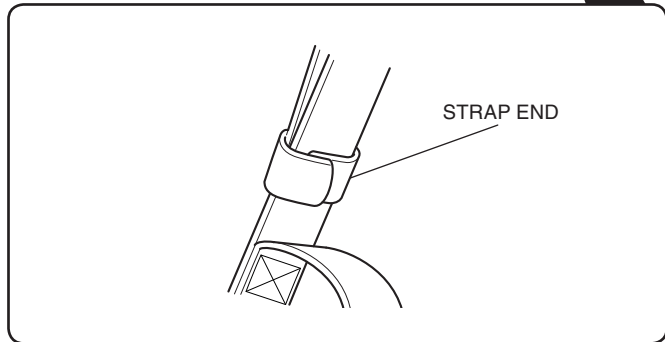
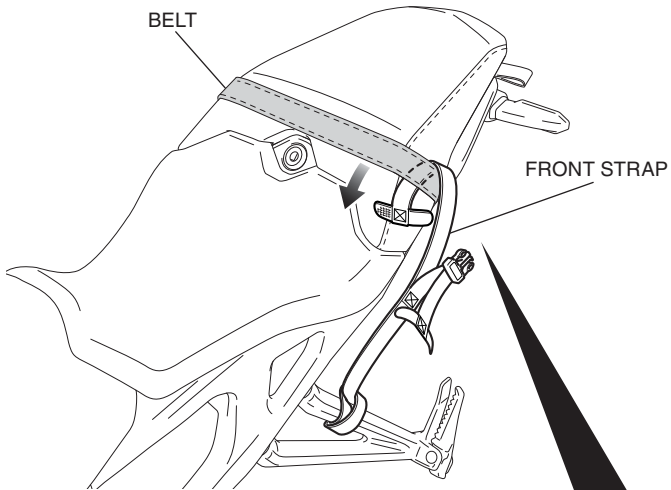
- Install the passenger seat in the reverse order of removal.

4. Set the front strap as shown.

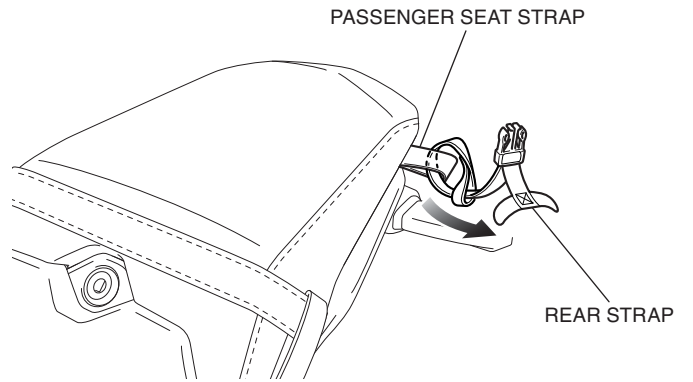
<Left side>



5. Route the front strap, and then secure the strap end as shown.



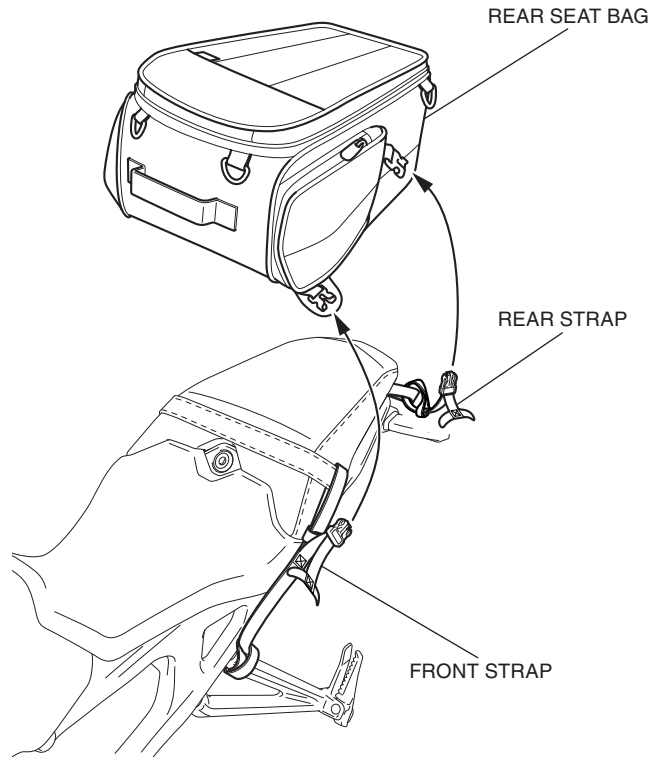
6. Set the rear strap as shown.



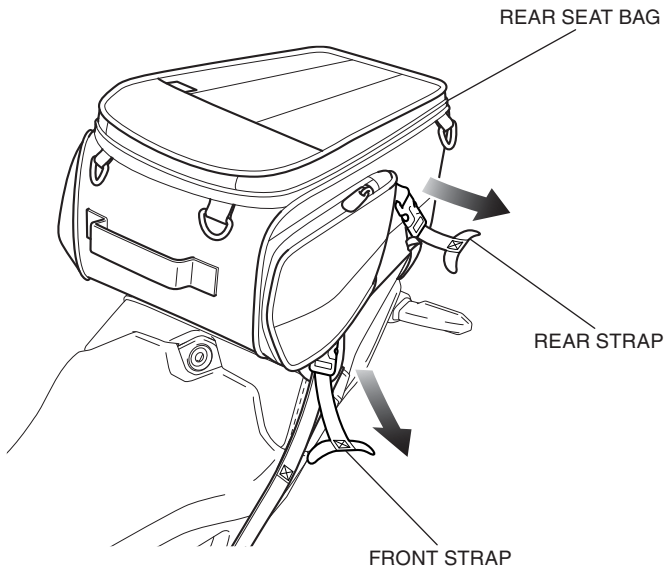
7. Set the front strap and rear strap on the right side in the same manner as the left side.

8. Install the rear seat bag as shown.

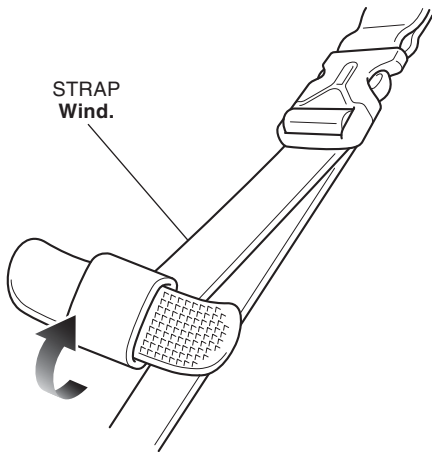
- Repeat on the right side.



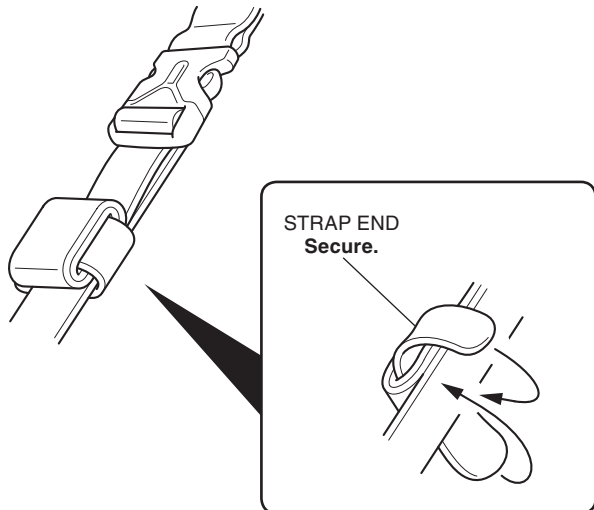
9. Tighten the straps while adjusting the balance between the right and left sides of the rear seat bag as shown.
 - Repeat on the right side.
 - Secure well by pulling the straps tight.



10. Wind the strap as shown.



11. Secure the strap end as shown.



12. Secure the other straps in the same manner.
13. Make sure that the rear seat bag does not protrude to the rear of the tail light as shown.
 - If the rear seat bag protrudes, adjust the tensions of front strap and rear strap.

