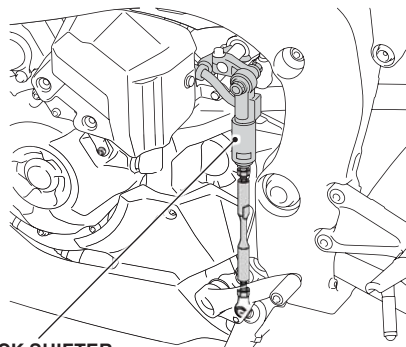


QUICK SHIFTER



QUICK SHIFTER

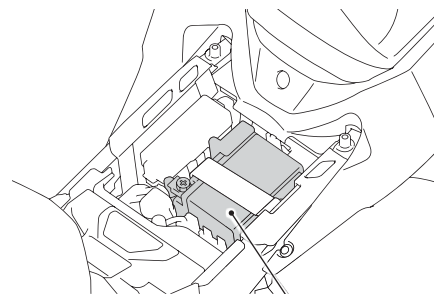
- Check the accessory mounts frequently and retighten if necessary.
- Clean this accessory with a soft cloth soaked with a solution of mild detergent and water. Then wipe with a clean cloth soaked with water to clean dirt and detergent. Finally wipe dry with a soft, clean cloth.

HOW TO USE THE QUICK SHIFTER

- This accessory enables gear changes without clutch operation when shifting up and down during acceleration/ deceleration. (Only when engine speed is more than 1,500 rpm on upshifting or more than idle speed on downshifting).
- For setting the quick shifter sensitivity (UP LVL or DOWN LVL), refer to the motorcycle Owner's Manual.

LI-ION BATTERY ATTACHMENT

<CBR1000RA SHOWN>



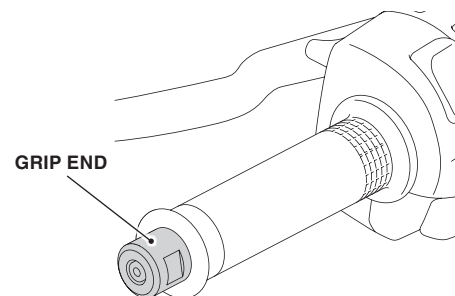
LI-ION BATTERY AND ATTACHMENT

- Check the accessory mounts frequently and retighten if necessary.
- Clean this accessory with a soft cloth soaked with a solution of mild detergent and water. Then wipe with a clean cloth soaked with water to clean dirt and detergent. Finally wipe dry with a soft, clean cloth.

HOW TO USE THE LI-ION BATTERY

- For extended storage, remove the battery, give it a full charge, and store it in dry space. For maximum service life, charge the stored battery at a suitable time.
- Lithium-ion batteries must be charged with a dedicated battery charger approved for LFP (lithium-iron-phosphate) batteries.
- To charge the battery, use the specified battery charger (OptiMATE lithium LFP 4s-5A manufactured by TecMATE or C1401B manufactured by ELIY Power Co., Ltd.).
- For details of handling the Li-ion battery, make sure that you read the motorcycle Owner's Manual as well.

GRIP END



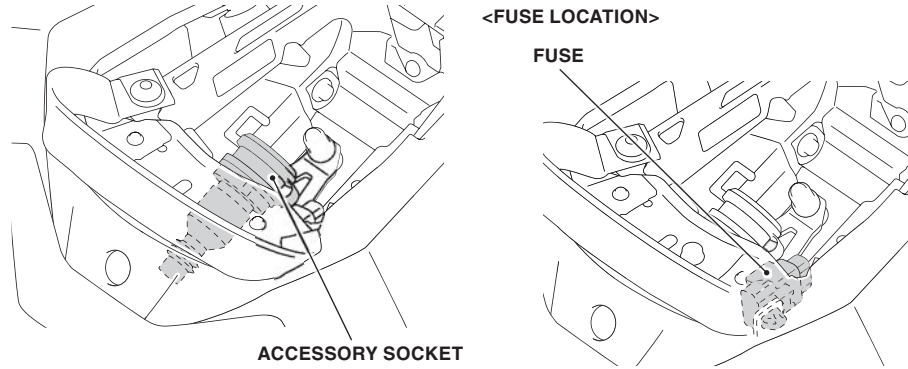
GRIP END

- Check the accessory mounts frequently and retighten if necessary.
- Clean this accessory with a soft cloth soaked with a solution of mild detergent and water. Then wipe with a clean cloth soaked with water to clean dirt and detergent. Finally wipe dry with a soft, clean cloth.

CBR1000RR/RA/S1/S2

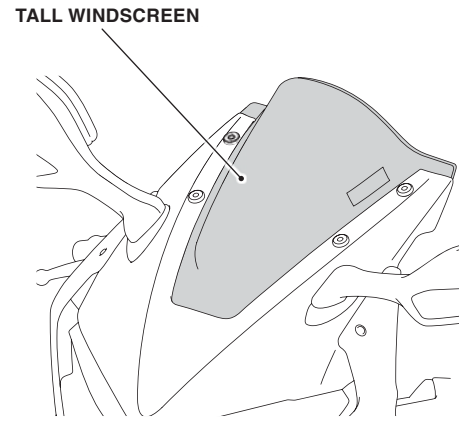
Genuine Accessory User's Guide

ACCESSORY SOCKET



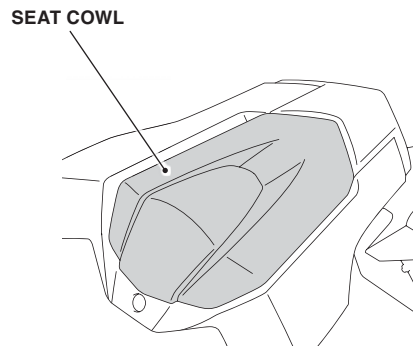
- Use a below listed replacement fuse for this accessory. Do not use any other sized or rated fuse for replacement.
 - Fuse: 1A
- The maximum power rating of connected accessories is 12W (12V, 1A).
- Use accessories with the engine running to avoid discharging the battery.
- Do not use a cigarette lighter, as this can damage the socket or cause a malfunction.
- Cover the socket with the cap when the accessory socket is not used to prevent entry of foreign objects.
- Carefully secure any connected devices, as vibrations may cause them to shift unexpectedly.
- Check the accessory mounts frequently and retighten if necessary.
- Clean this accessory with a soft cloth soaked with a solution of mild detergent and water. Then wipe with a clean cloth soaked with water to clean dirt and detergent. Finally wipe dry with a soft, clean cloth.

TALL WINDSCREEN



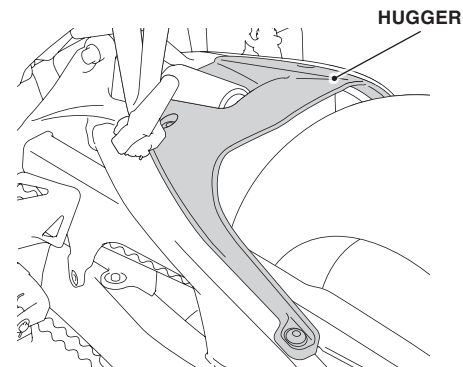
- Handle this accessory with care. It can be damaged when it is bent excessively or is subject to strong shock or impact.
- Park the motorcycle in the shade when it is to be left unattended in the summer for an extended period of time with a cycle cover placed over it.
- Failure to observe this precaution can cause this accessory to be deformed due to heat built up under the cycle cover.
- Keep in mind that strong wind can cause the motorcycle to topple over. Select a firm, level surface when you park the motorcycle.
- Check the accessory mounts frequently and retighten if necessary.
- When this accessory becomes dirty, rinse it thoroughly with cool water to remove loose dirt, then wipe with a clean cloth or sponge. Do not use a brush to clean this accessory as it may scratch the surface.
- Never use petroleum solvents such as gasoline, thinner or benzine to clean this accessory. Also do not use acid or alkaline cleaners.
- Wipe up spilled brake fluid at once as it may damage the plastic surface.

SEAT COWL



- Do not let anyone ride on the seat cowl and do not place luggage onto it.
- Check the accessory mounts frequently.
- Clean this accessory with a soft cloth soaked with a solution of mild detergent and water. Then wipe with a clean cloth soaked with water to clean dirt and detergent. Finally wipe dry with a soft, clean cloth.

REAR TIRE HUGGER

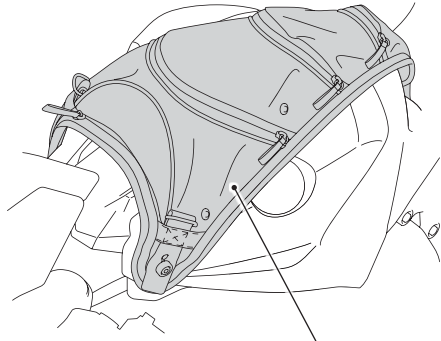


- Check the accessory mounts frequently and retighten if necessary.
- Clean this accessory with a soft cloth soaked with a solution of mild detergent and water. Then wipe with a clean cloth soaked with water to clean dirt and detergent. Finally wipe dry with a soft, clean cloth.

CBR1000RR/RA/S1/S2

Genuine Accessory User's Guide

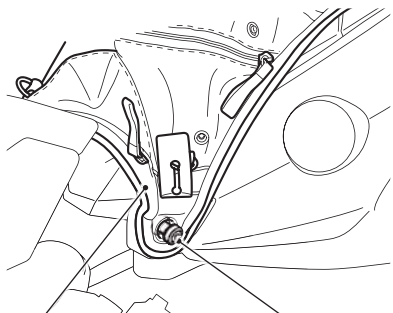
TANK BAG AND ATTACHMENT



TANK BAG AND ATTACHMENT

- The weight of the cargo must not exceed the following maximum load capacity:
Tank bag 3.0 kg (6.6 lb)
- Check the accessory mounts frequently and retighten if necessary.
- Clean this accessory with a soft cloth soaked with a solution of mild detergent and water or a cleaner.
- Do not store valuables or easily breakable items in the tank bag.
- Be sure that the fastener is closed securely before riding.
- The tank bag is not perfectly watertight, and water may enter when washing the motorcycle, or when it rains.

HOW TO INSTALL THE TANK BAG



TANK BAG

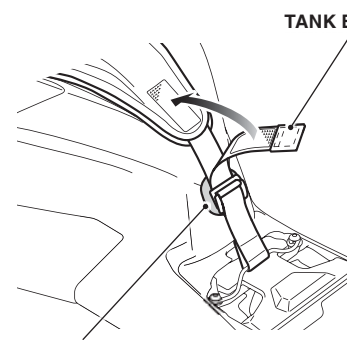
HOOK

1. Install the tank bag as shown.
 - To prevent scratches, install the tank bag after wiping clean the top shelter and tank bag.
 - Repeat on the right side.

Secure the tank bag with the strap.



HOW TO USE THE RAIN COVER

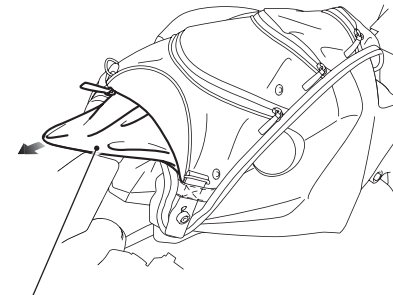


TANK BAG BELT

To the bottom of the buckle.

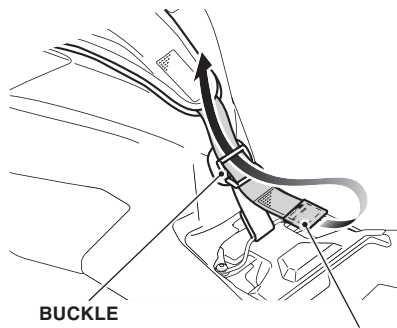
3. Secure the tank bag belt as shown.
 - Firmly pull to secure the tank bag belt.

1. Open the fastener and pull out the rain cover as shown.



RAIN COVER

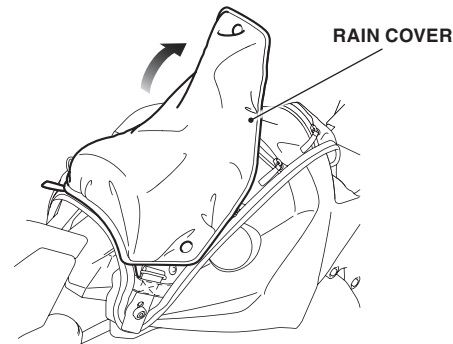
2. Cover the tank bag as shown.



BUCKLE

TANK BAG BELT

2. Pass the tank bag belt through the buckles as shown.



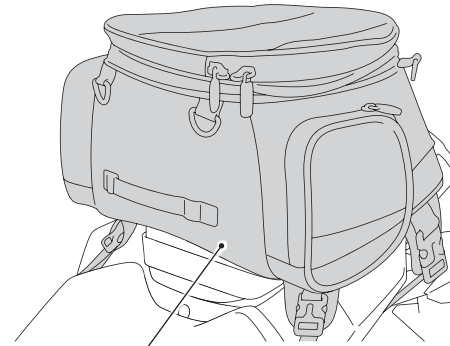
RAIN COVER

Continued

CBR1000RR/RA/S1/S2

Genuine Accessory User's Guide

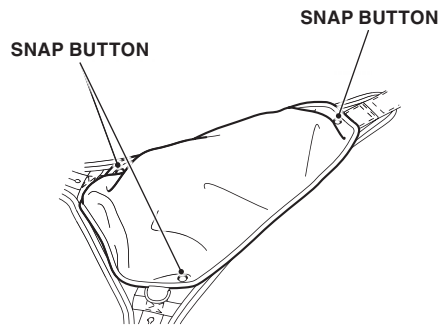
SEAT BAG ATTACHMENT



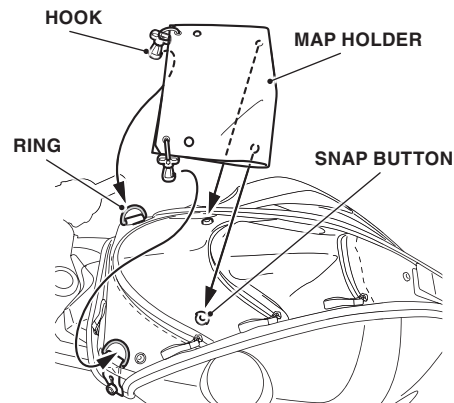
SEAT BAG AND ATTACHMENT

- The weight of the cargo must not exceed the following maximum load capacity:
Seat bag 4.0 kg (8.8 lb)
- Check the accessory mounts frequently.
- Clean this accessory with a soft cloth soaked with a solution of mild detergent and water or a cleaner.
- Do not store valuables or easily breakable items in the seat bag.
- Be sure that the fastener is closed securely before riding.
- The seat bag is not perfectly watertight, and water may enter when washing the motorcycle, or when it rains.

3. Secure the rain cover with the snap buttons as shown.



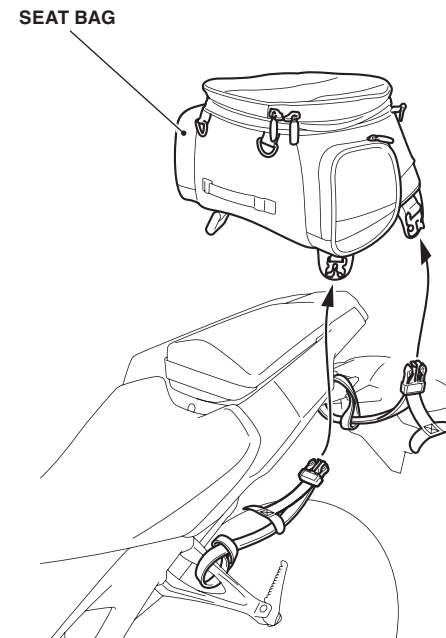
HOW TO USE THE MAP HOLDER



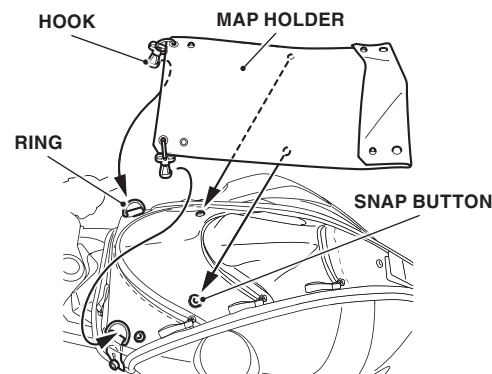
USING THE HOLDER FOLDED

1. Secure the front holder hook to the tank bag ring and fold the map holder in half to secure it as shown.

HOW TO INSTALL THE SEAT BAG



1. Install the seat bag as shown.
 - Repeat on the right side.



USING THE HOLDER SPREAD OUT

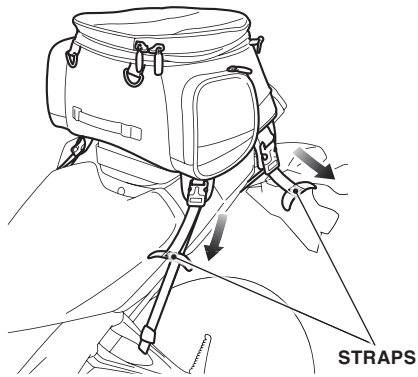
1. Secure the map holder as shown.

Continued

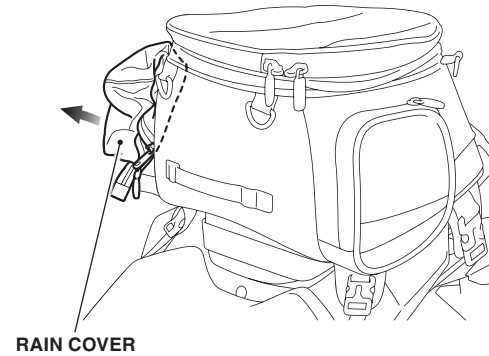
CBR1000RR/RA/S1/S2

Genuine Accessory User's Guide

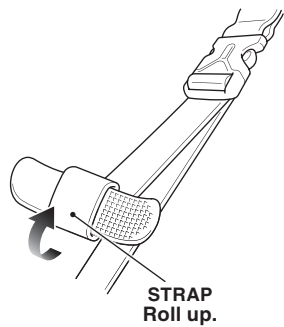
HOW TO USE THE RAIN COVER



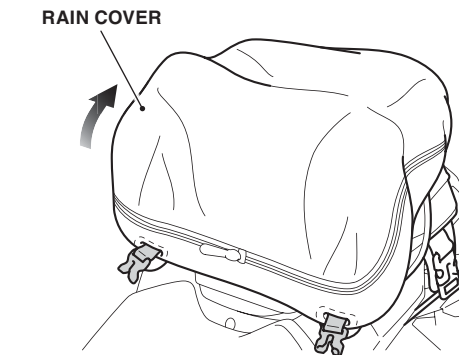
2. Tighten the straps while adjusting the balance between the right and left sides of the seat bag as shown.
 - Repeat on the right side.
 - Secure well by pulling the straps tight.



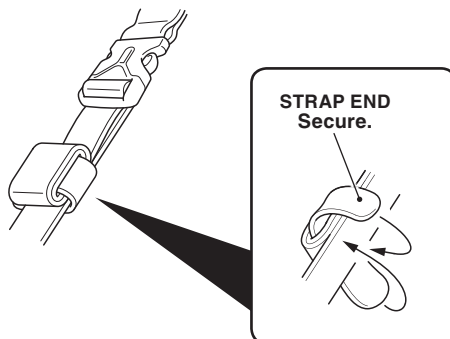
1. Open the fastener and pull out the rain cover as shown.



3. Roll up the straps as shown.
 - Repeat on the other straps.

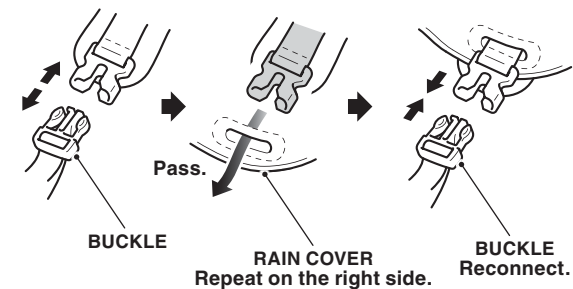


2. Cover the front side rain cover securely as shown.



4. Secure the strap end as shown.
 - Repeat on the other straps.

Temporarily release the buckles and pass them through the rain cover holes as shown.

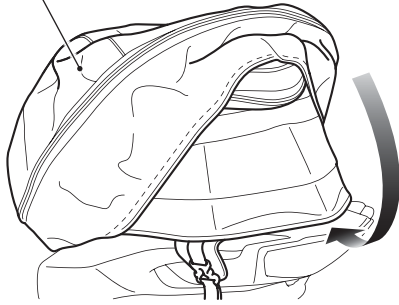


Continued

CBR1000RR/RA/S1/S2

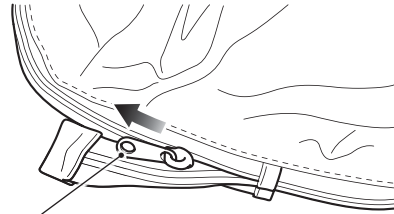
Genuine Accessory User's Guide

RAIN COVER



2. Cover the rear of the seat bag securely as shown.

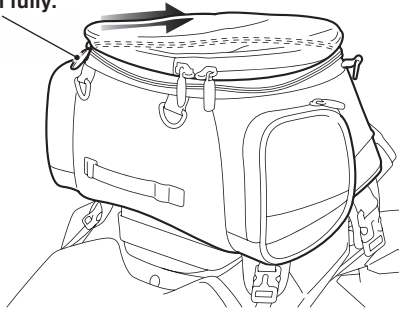
<With seat bag extended>



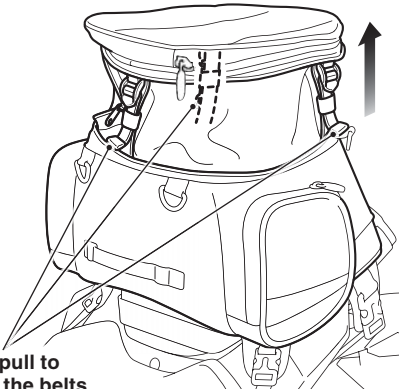
FASTENER
Open fully.

HOW TO EXTEND THE SEAT BAG

FASTENER
Open fully.

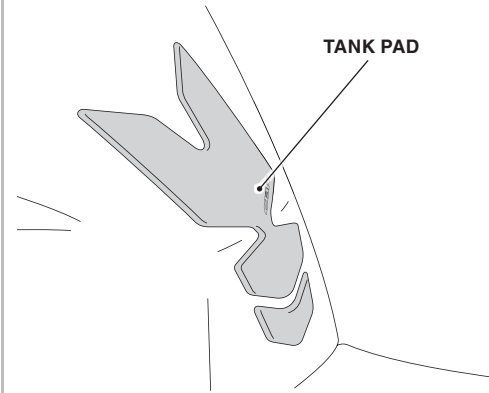


1. Open the fastener and pull up the seat bag as shown.



Firmly pull to
secure the belts.

TANK PAD



- Clean this accessory with a wet soft cloth and a solution of mild detergent and water. Wipe dry with a soft, clean cloth.