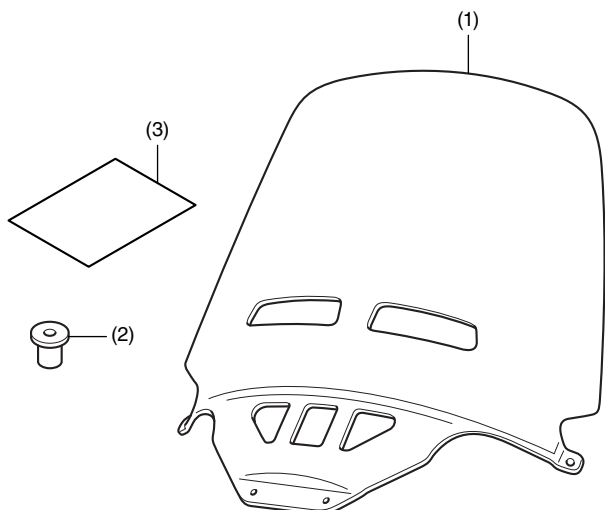


PARTS LIST



No.	Description	Qty
(1)	Windscreen	1
(2)	Well nut	4
(3)	Installation Instructions URL	1

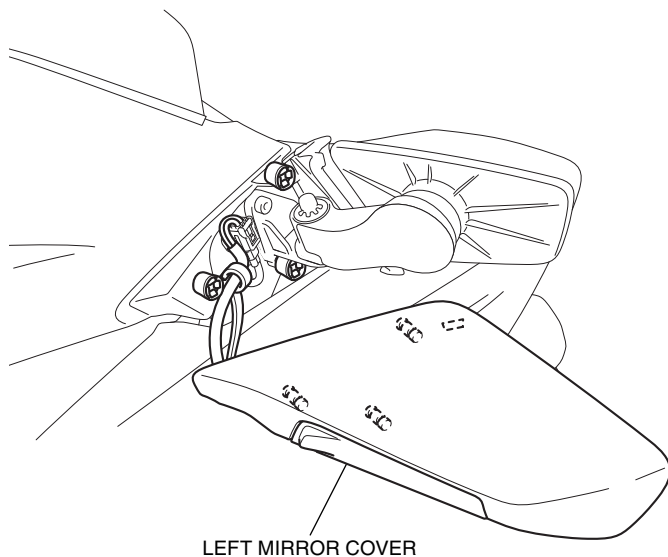
TORQUE CHART

Refer to the Service Manual for the torque values of the removed parts.

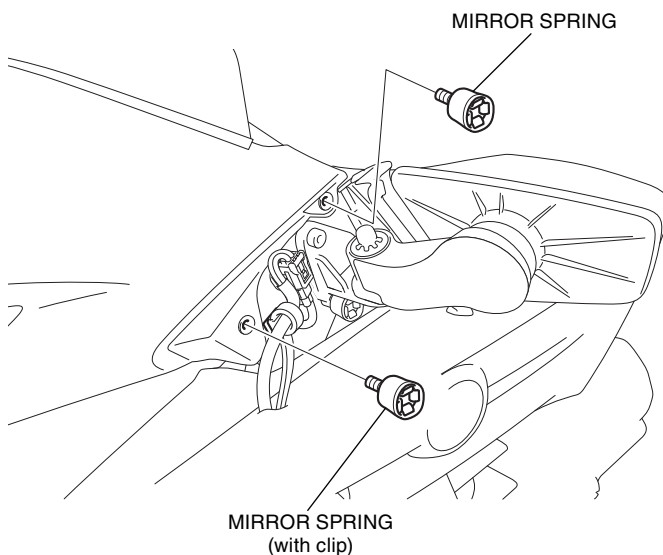
INSTALLATION

1. Remove the left mirror cover as shown.

<Left side>

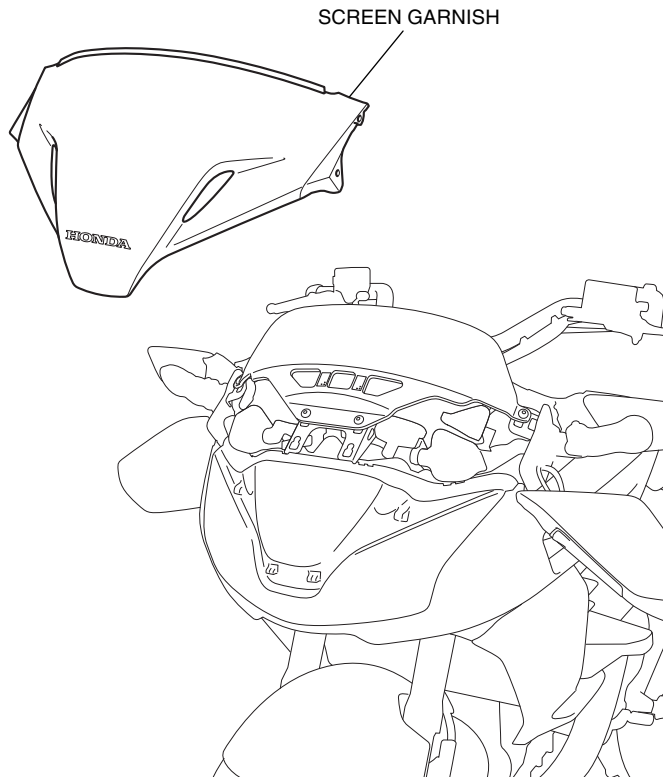


2. Remove the mirror springs as shown.

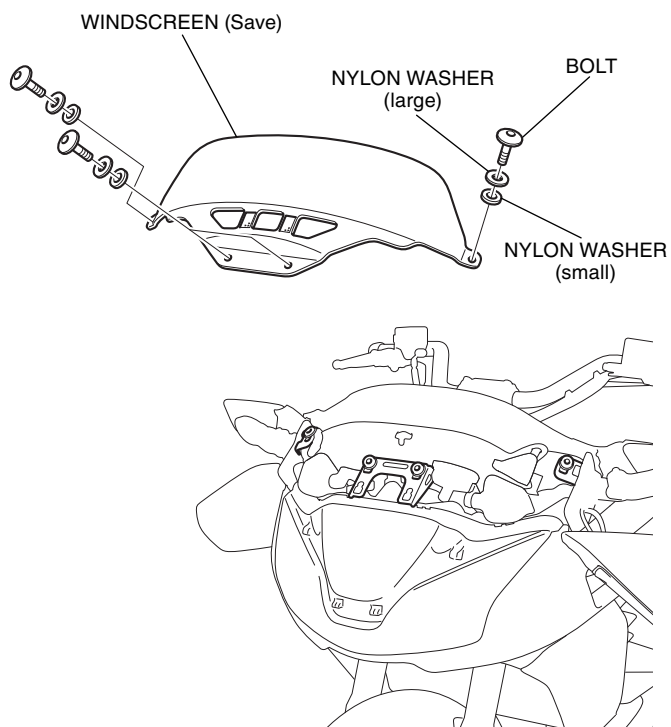


3. Repeat Steps 1 and 2 on the right side.

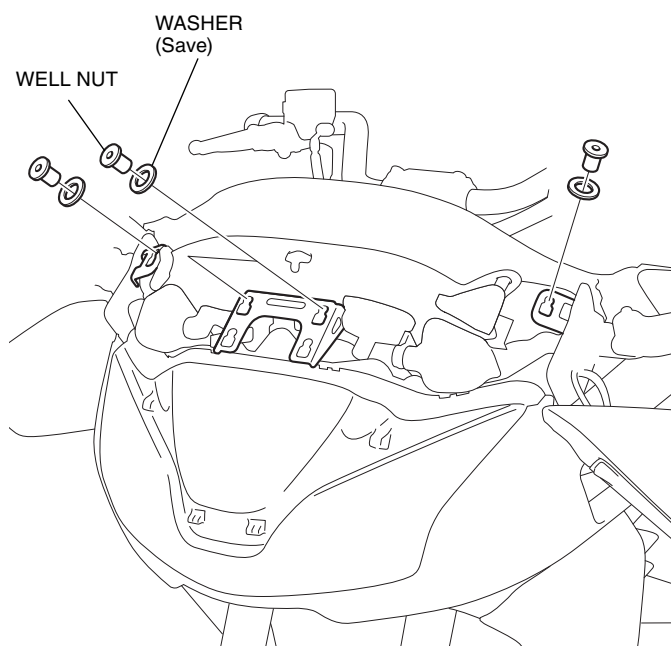
4. Remove the screen garnish as shown.



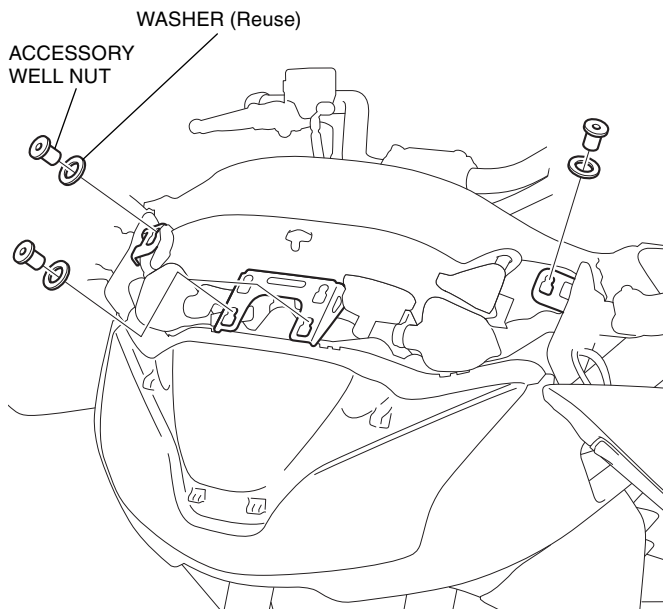
5. Remove the windscreen as shown.



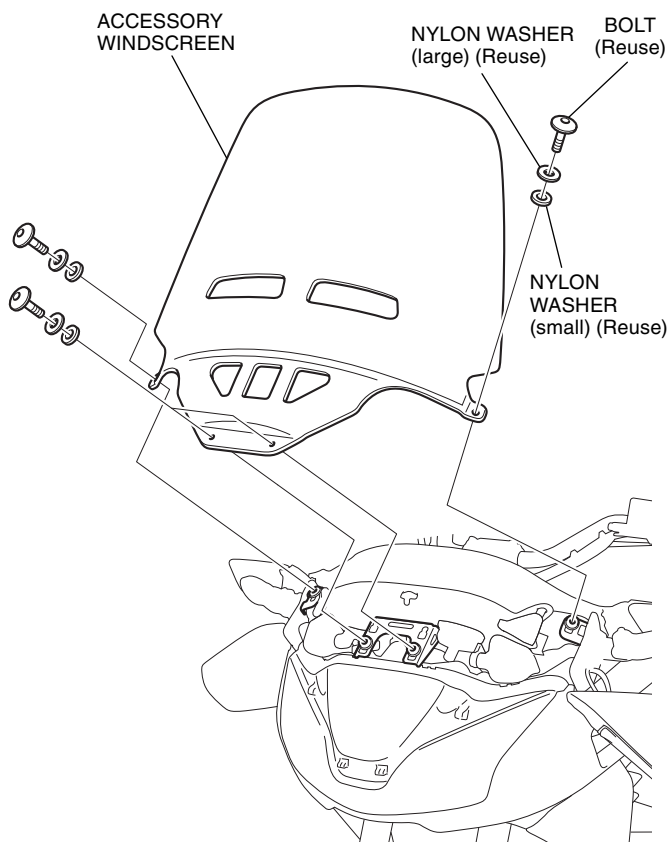
6. Remove the well nuts and washers as shown.



7. Install the accessory well nuts and the removed washers as shown.



8. Install the accessory windscreen as shown.



9. Install the removed parts in the reverse order of removal.