



# INSTALLATION INSTRUCTIONS

Accessory

REAR CARRIER  
P/N 08L71-MKA-A30

Application

After '15 NC700X/XD

Publication No.

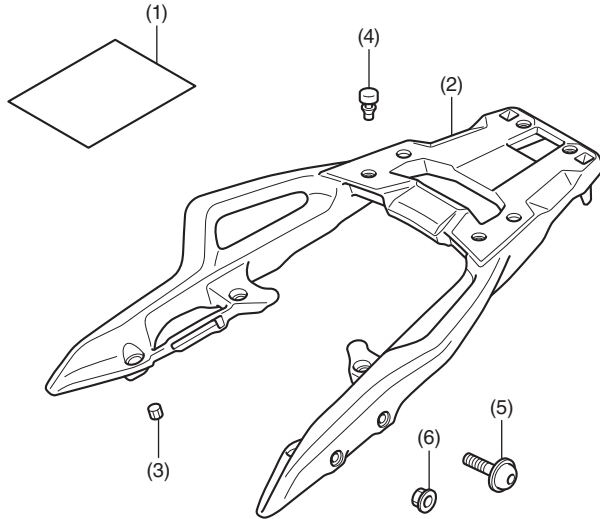
MII 15736

Issue Date

March 2016

**Honda Dealer: Please give a copy of these instructions to your customer.**

## PARTS LIST



No.	Description	Qty
(1)	Installation Instruction URL	1
(2)	Rear carrier	1
(3)	6 mm plug	4
(4)	Cushion	4
(5)	8 mm socket bolt	4
(6)	8 mm flange nut	4

## TOOLS REQUIRED

Hex wrench (5 mm)

Box-end wrench (12 mm)

Torque wrench

## TORQUE CHART

Tighten all screws, bolts, and nuts to their specified torque values. Refer to the Service Manual for the torque values of the removed parts.

Item	N-m	kgf-m	lbf-ft
8 mm flange nut	27	2.8	20
Motorcycle's 8 mm socket bolt	30	3.1	22

## MAXIMUM LOADING CAPACITY

- The weight of the cargo must not exceed the following maximum loading capacity:

Maximum Loading Capacity	
Rear carrier	10 kg (22 lb)

## INSTALLATION

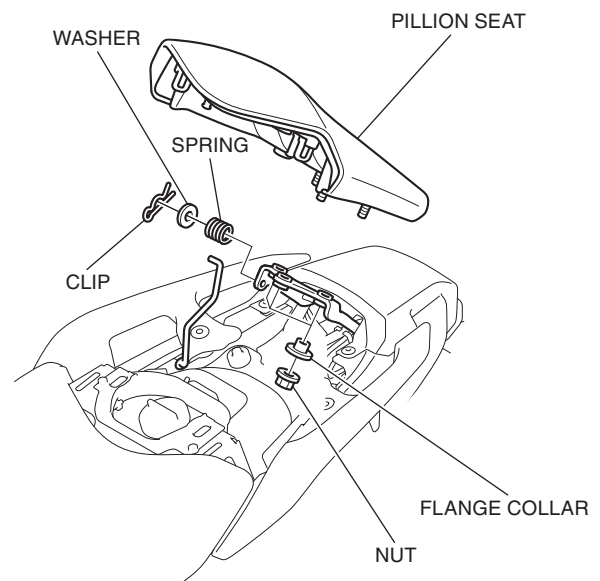
### ▲ CAUTION

- To prevent burns, allow the engine, exhaust system, radiator, etc., to cool before installing the accessory.

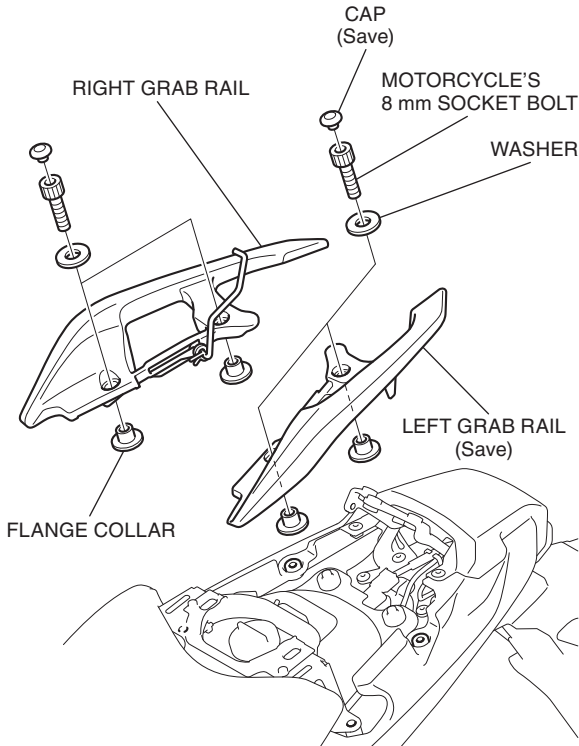
### NOTE:

- Take care not to damage the painted surfaces of the motorcycle.
- Illustration shows NC700X type, other types are similar.**

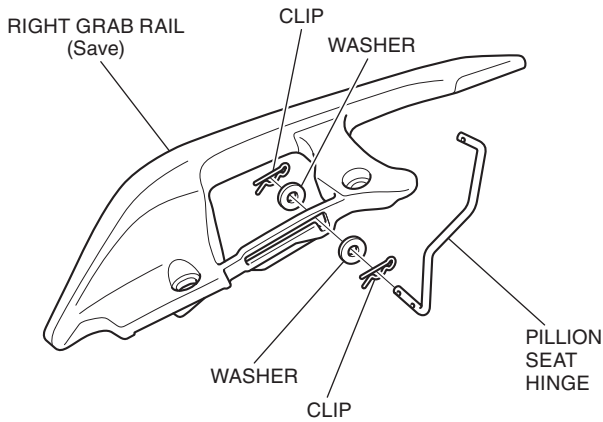
- Refer to the Service Manual for the motorcycle. Remove the pillion seat.



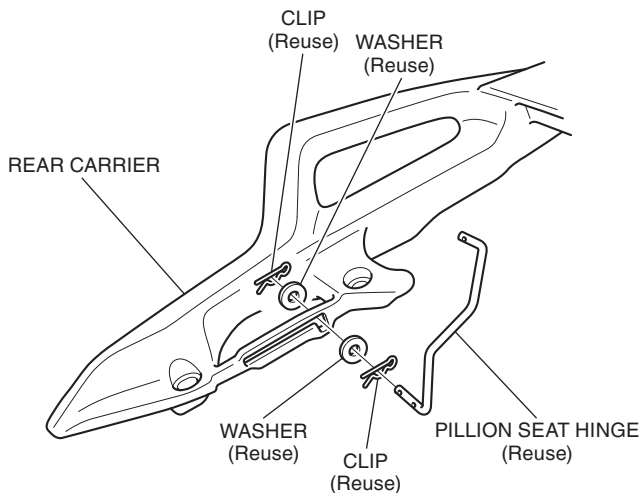
2. Remove the left and right grab rails.



3. Remove the pillion seat hinge from the right grab rail as shown.

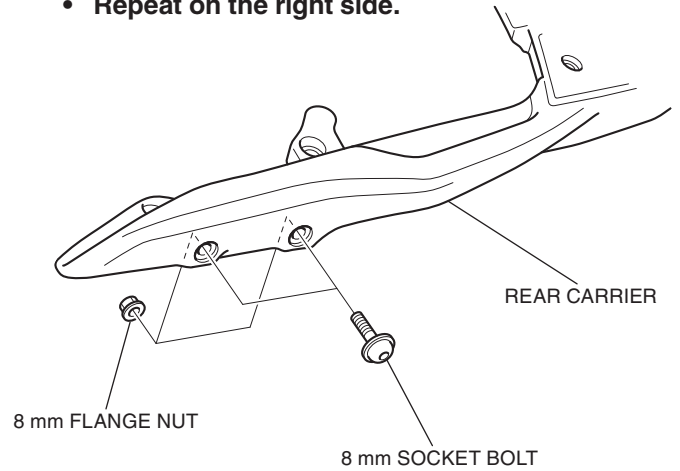


4. Install the pillion seat hinge to the right side of the rear carrier as shown.

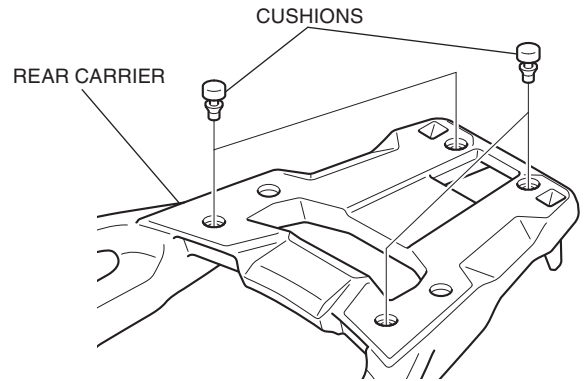


5. Install the 8 mm socket bolts and flange nuts as shown.

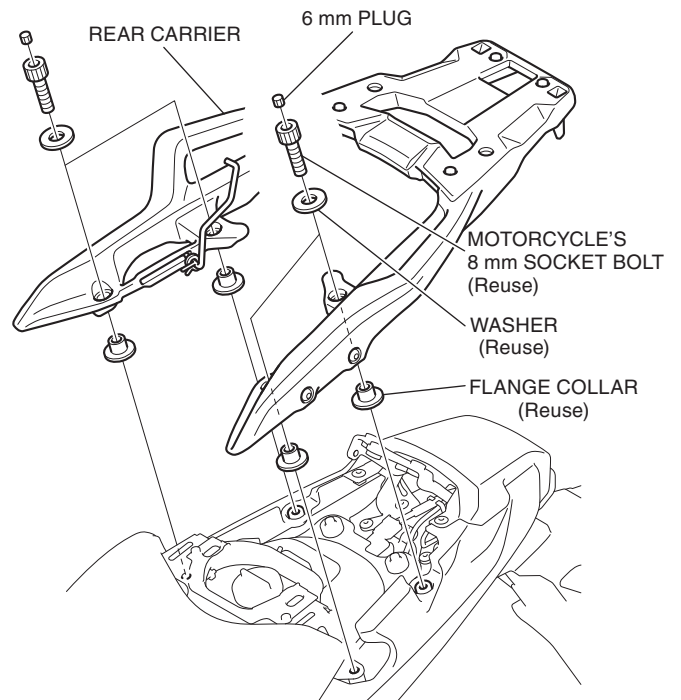
- Repeat on the right side.



6. Install the cushions as shown.



7. Install the rear carrier as shown.



8. Install the motorcycle's parts in the reverser order of removal.