



EVOTECH®
P E R F O R M A N C E

Installation Instructions

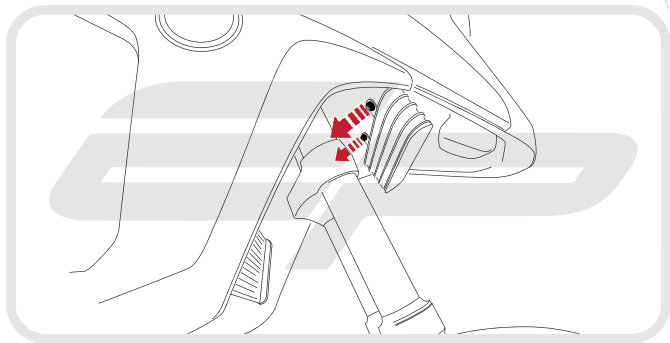


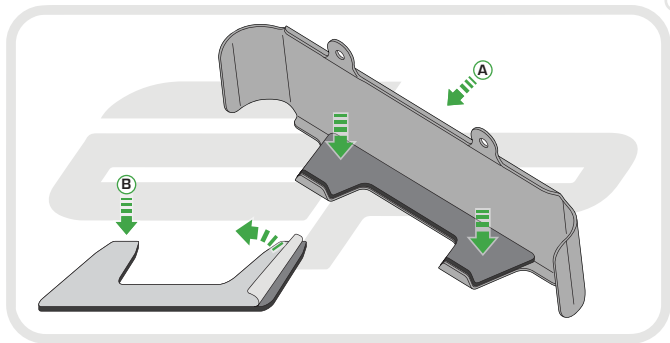
HONDA VFR800X CROSSRUNNER OIL COOLER GUARD

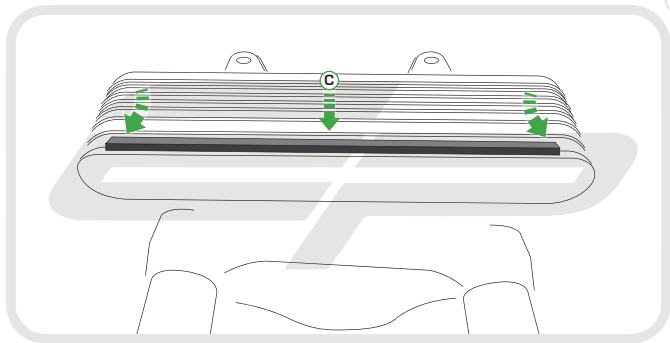
Product Reference - 12660

Kit Contents

- A** 1 x Oil Cooler Guard
- B** 1 x Neoprene Pad
- C** 1 x 6mm Neoprene Strip





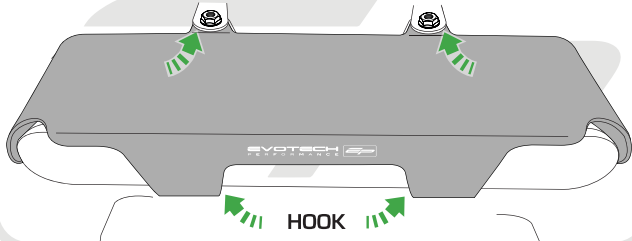


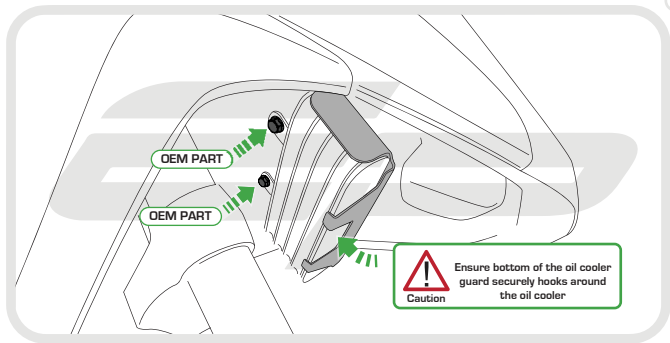
EVOTECH[®]
P E R F O R M A N C E



Caution

Ensure mounting tabs on the Oil Cooler
Guard tuck behind the oil cooler mounting points
and sit between these and the oil cooler itself







ESSENTIAL CHECKS

It is recommended that periodic inspections are made to ensure that dirt and debris have not become trapped between the guard and the radiator/oil cooler. Such dirt and debris would reduce the cooling efficiency of the radiator/oil cooler.

It is recommended that periodic inspections are made to ensure that all fixings are fully tightened.



EVOTECH®
P E R F O R M A N C E

www.evotech-performance.com