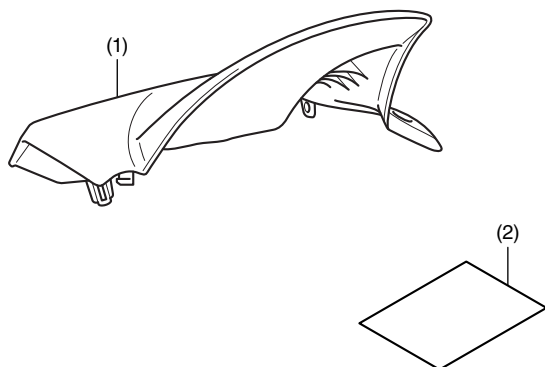


PARTS LIST



No.	Description	Qty
(1)	Rear tire hugger	1
(2)	Installation Instruction URL	1

TORQUE INFORMATION

Refer to the Service Manual for the torque values of the removed parts.

INSTALLATION

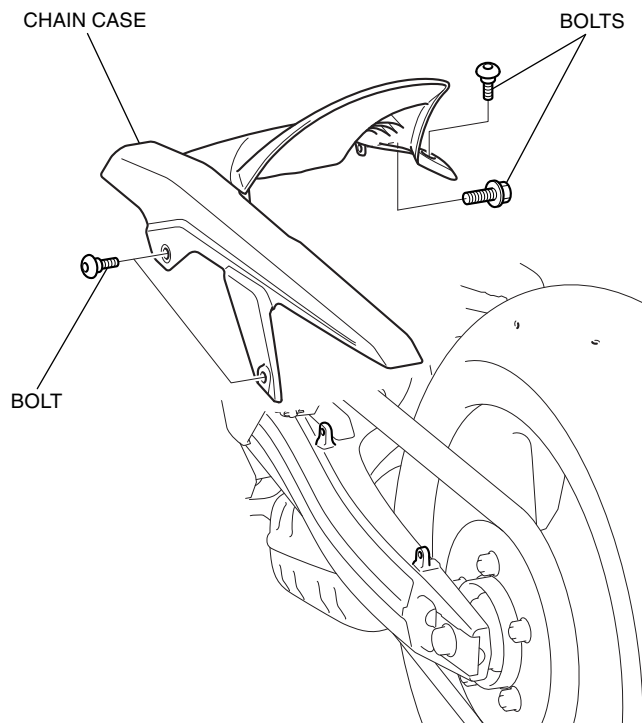
▲ CAUTION

- To prevent burns, allow the engine, exhaust system, radiator, etc., to cool before installing the accessory.

NOTE:

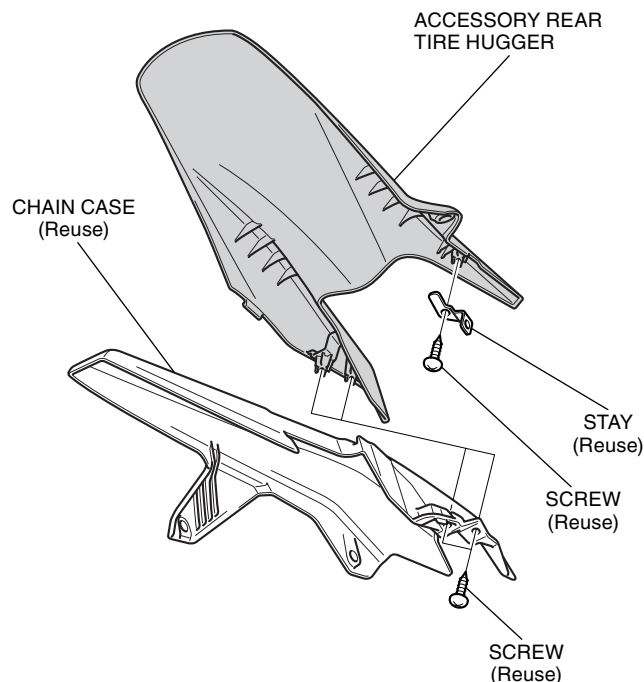
- Take care not to damage the painted surfaces of the motorcycle.
- Reinstall the removed parts on the motorcycle and make sure that wires and harnesses are not pinched.
- Illustrations show CBR650FA type, CBR650F is similar.

- Refer to the Service Manual for the motorcycle, remove the chain case.



- Replace the original equipment rear tire hugger with the accessory rear tire hugger as shown.

- Replace the shaded part.



- Install the removed parts in the reverse order of removal.