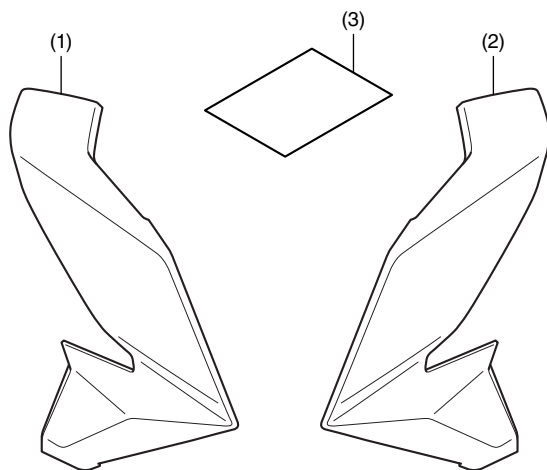


## PARTS LIST



No.	Description	Qty
(1)	Right shroud	1
(2)	Left shroud	1
(3)	Installation instructions URL	1

## TORQUE INFORMATION

Refer to the Service Manual for the torque values of the removed parts.

## INSTALLATION

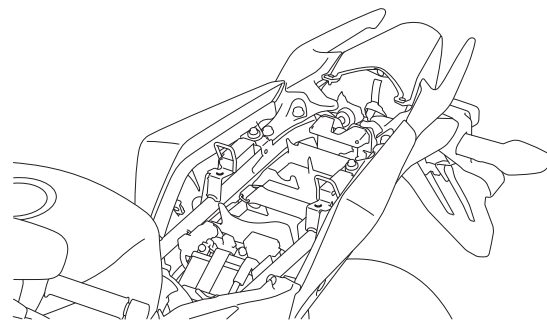
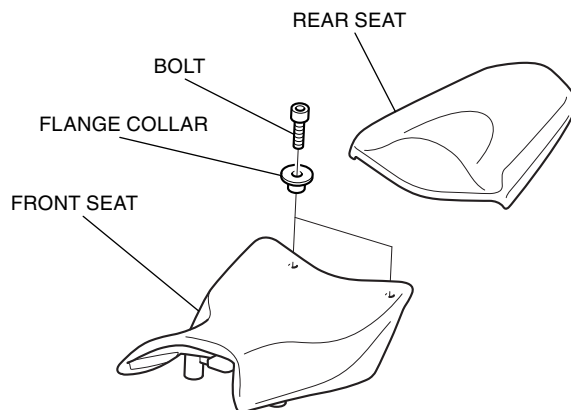
### ▲ CAUTION

- To prevent burns, allow the engine, exhaust system, radiator, etc., to cool before installing the accessory.

### NOTE:

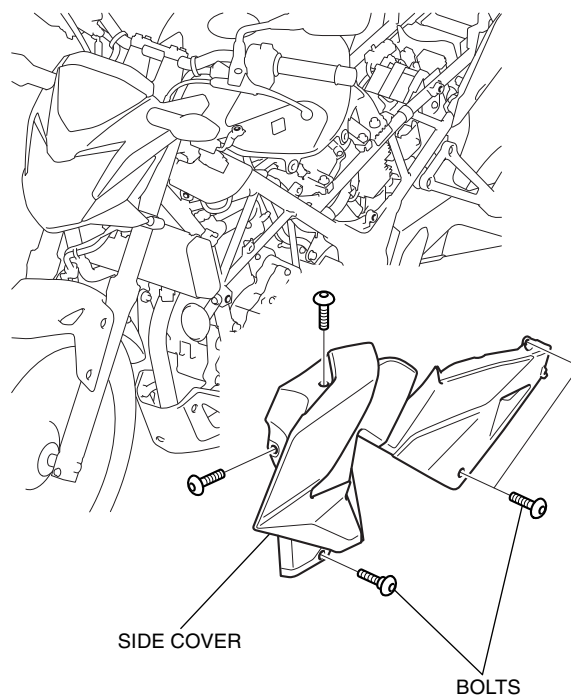
- Take care not to damage the painted surfaces of the motorcycle.

- Refer to the Service Manual for the motorcycle, remove the parts as shown.



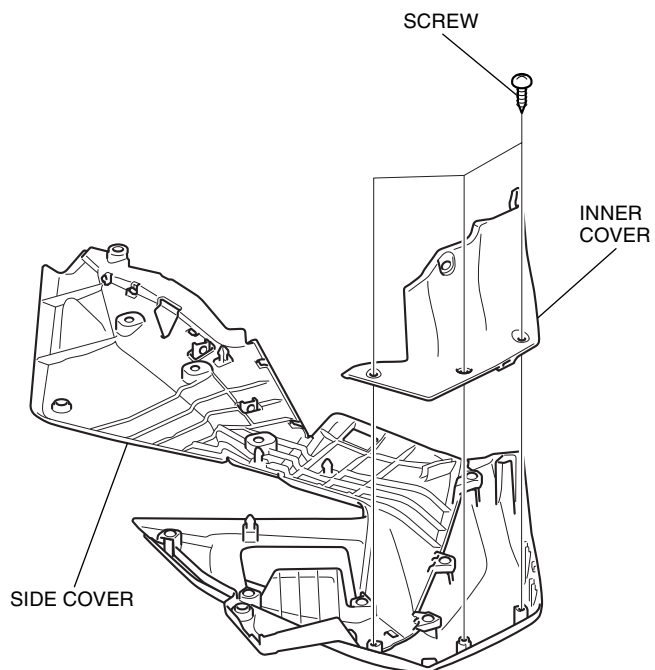
- Refer to the Service Manual for the motorcycle, remove the parts as shown.

- Repeat on the right side.



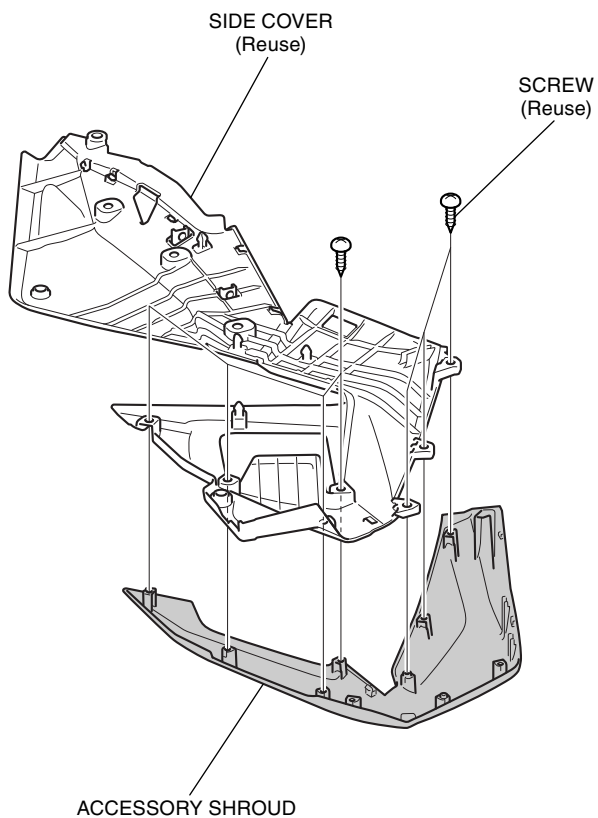
3. Remove the inner cover as shown.

- **Repeat on the right side.**



4. Replace the existing shroud with the accessory shroud as shown.

- **Repeat on the right side.**



5. Install the removed parts in the reverse order of removal.