



INSTALLATION INSTRUCTIONS

Accessory

SADDLEBAG PANEL
P/N 08F73-MGS-A50

Application

COMMON

Publication No.

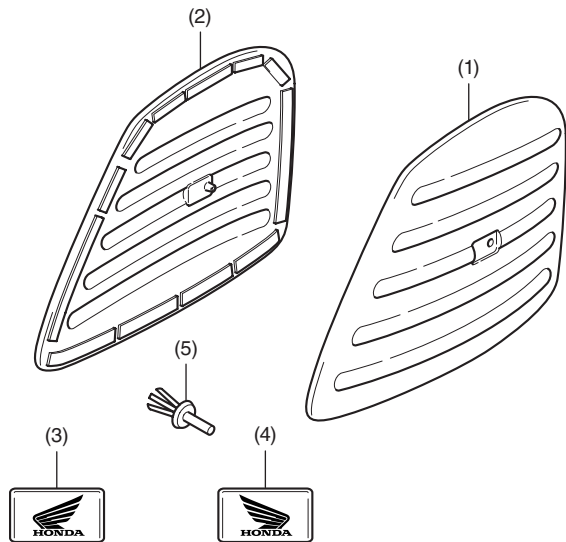
MII 13973

Issue Date

May 2012

Honda Dealer: Please give a copy of these instructions to your customer.

PARTS LIST



No.	Description	Qty
(1)	Right saddlebag panel	1
(2)	Left saddlebag panel	1
(3)	Left emblem	1
(4)	Right emblem	1
(5)	Push rivet	2

TOOLS AND SUPPLIES REQUIRED

Electric drill
 Drill bit (4 mm)
 Plastic hammer
 Drift (O.D. approx. 5 mm)
 Isopropyl alcohol
 Shop towel

USE AND CARE INFORMATION

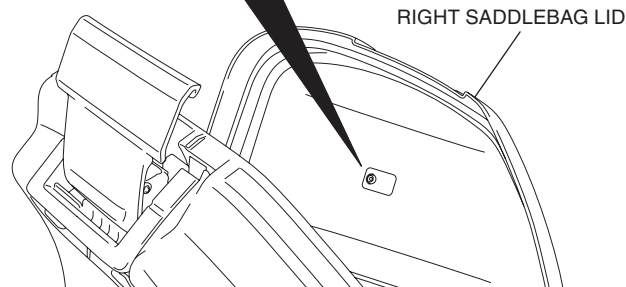
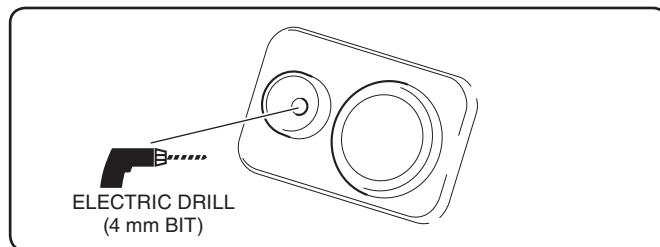
- Check the accessory mounts frequently.
- When this accessory becomes dirty, rinse it thoroughly with cool water to remove loose dirt, then wipe with a clean cloth or sponge. Do not use a brush to clean this accessory as it may scratch the surface.
- Never use petroleum solvents such as gasoline, thinner, or benzine to clean this accessory. Also do not use acid or alkaline cleaners.
- Wipe up spilled brake or battery fluid at once as they may damage the plastic surface.

INSTALLATION

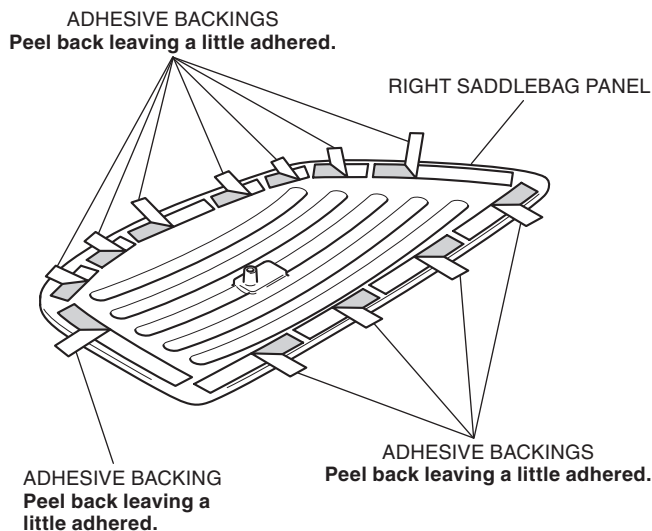
NOTE:

- Heat the bonding surfaces with a hair dryer if the ambient air temperature is below 70°F (21°C).
- The adhesive reaches full strength in 72 hours. Wait at least 24 hours before riding your motorcycle.

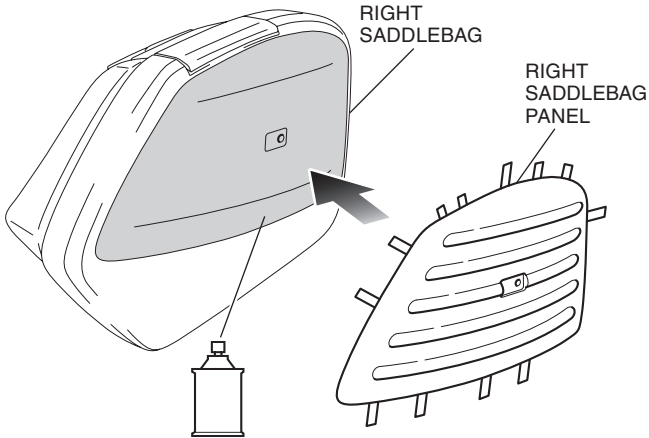
1. Drill the right saddlebag lid in the position shown.
 - **Before performing this step, remove the emblem from the right saddlebag.**
 - **Remove any burrs from the edge of the hole.**



2. Peel back an end of the adhesive backings on the back of the right saddlebag panel as shown.

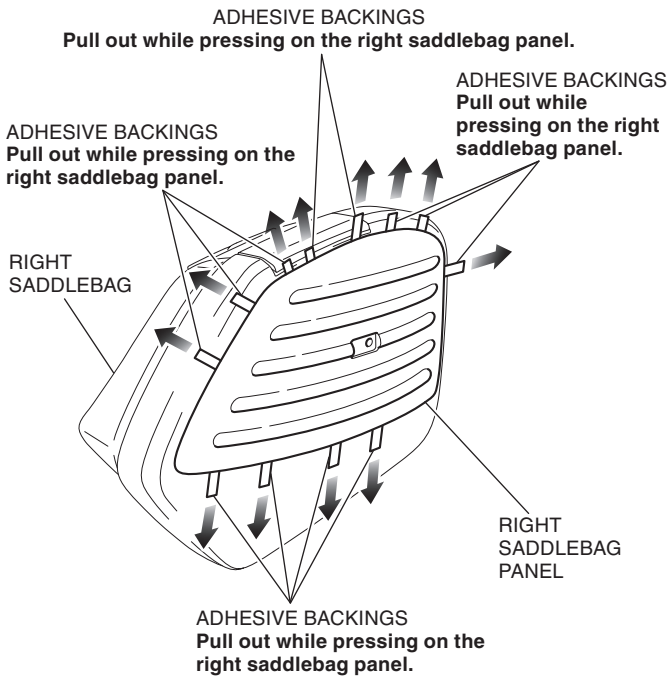


3. Loosely install the right saddlebag panel as shown.



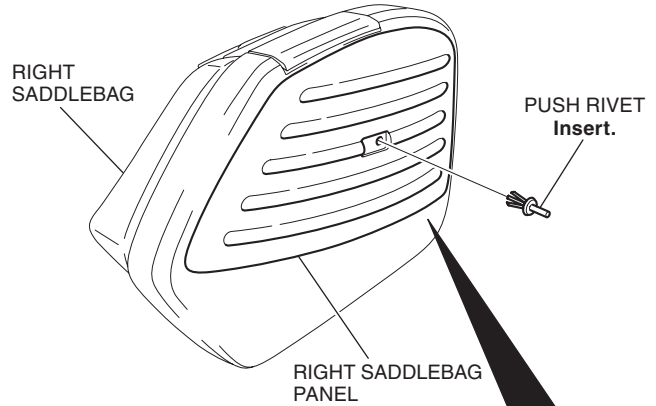
ISOPROPYL ALCOHOL
Thoroughly clean the area where the right saddlebag panel will be attached.

4. Install the right saddlebag panel securely as shown.

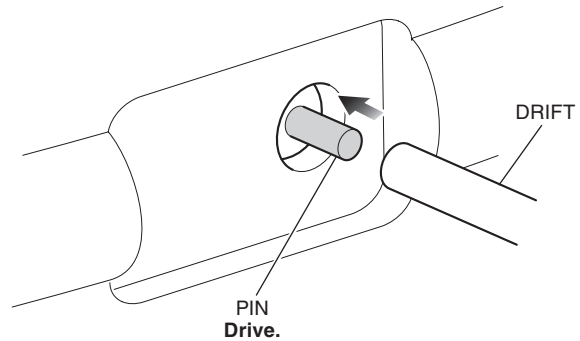


5. Apply adequate pressure to the attached right saddlebag panel.

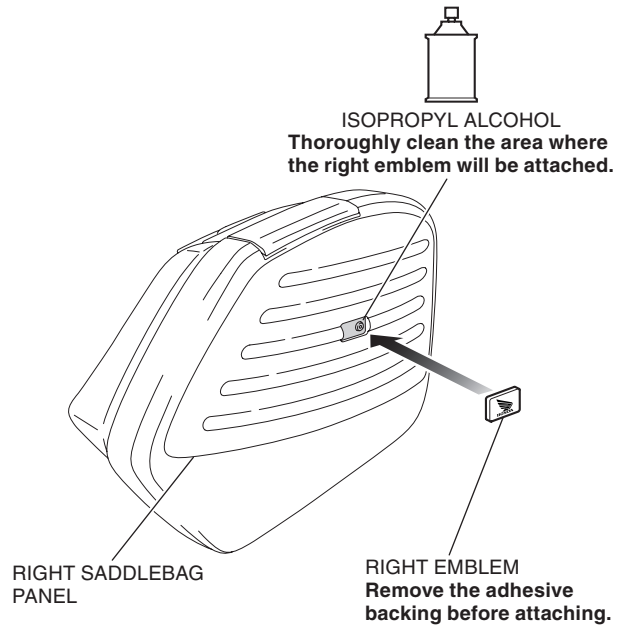
6. Secure the saddlebag panel with the push rivet as shown.



Drive the pin of the push rivet using a drift and plastic hammer.



7. Attach the right emblem in the position shown.



8. Repeat steps 1 through 7 on the left side.