



INSTALLATION INSTRUCTIONS

Accessory
SOFT REAR RACK BAG
P/N 08L56-HN8-100B

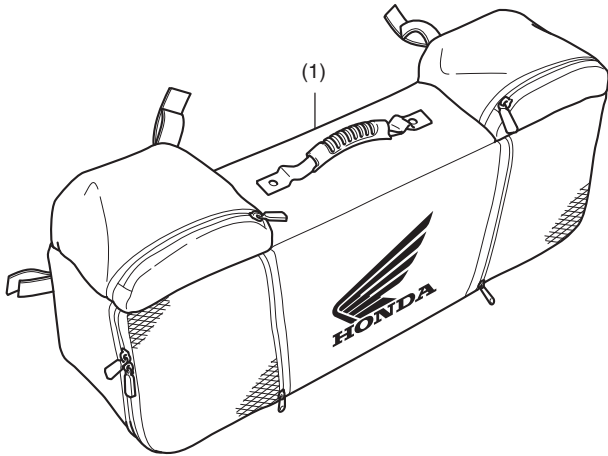
Application
TRX250/420/500/650/680

Publications No.
MII 13201

Issue Date
March 2010

Honda Dealer: Please give a copy of these instructions to your customer.

PARTS LIST



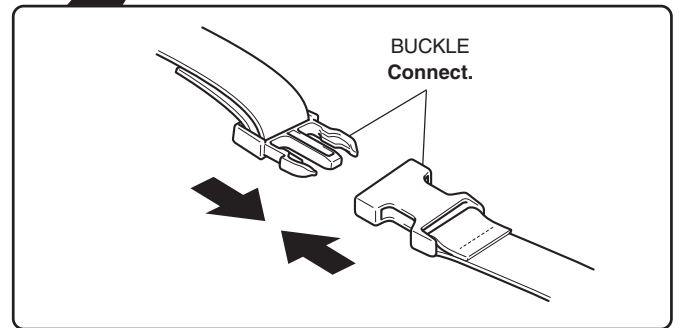
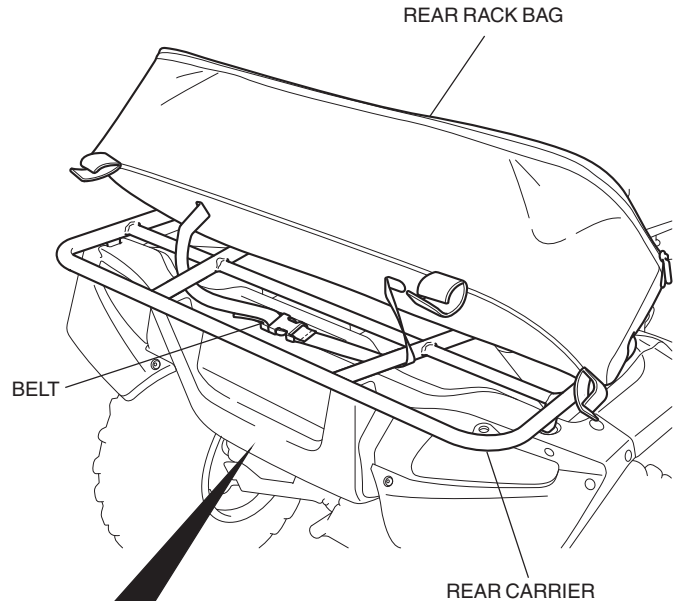
No.	Description	Qty
(1)	Soft rear rack bag	1

USE AND CARE INFORMATION

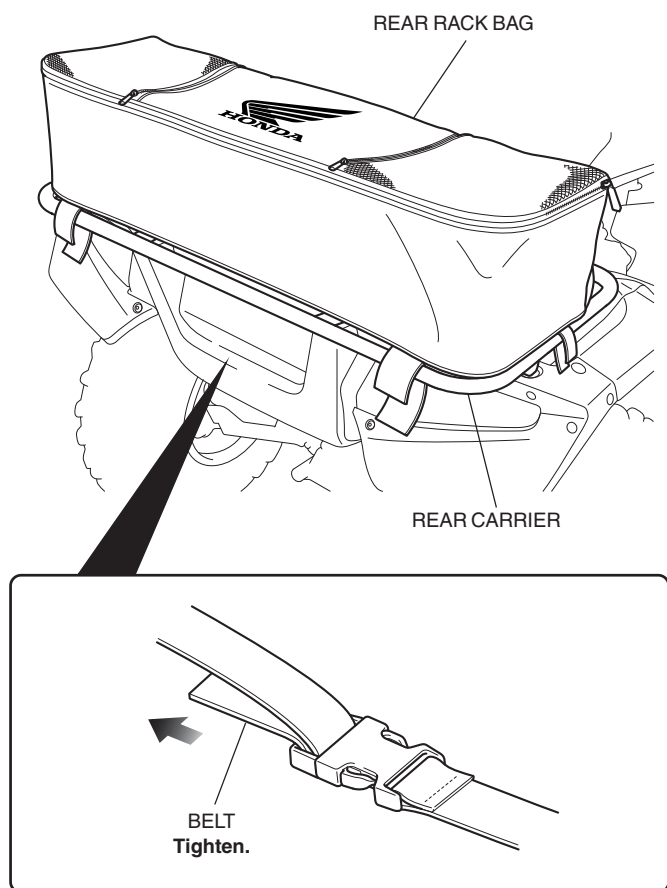
- Check that the soft rear rack bag is mounted securely on the ATV before riding.
- Note that this accessory is not fully water resistant.

INSTALLATION

1. Route the belt of the rear rack bag as shown.

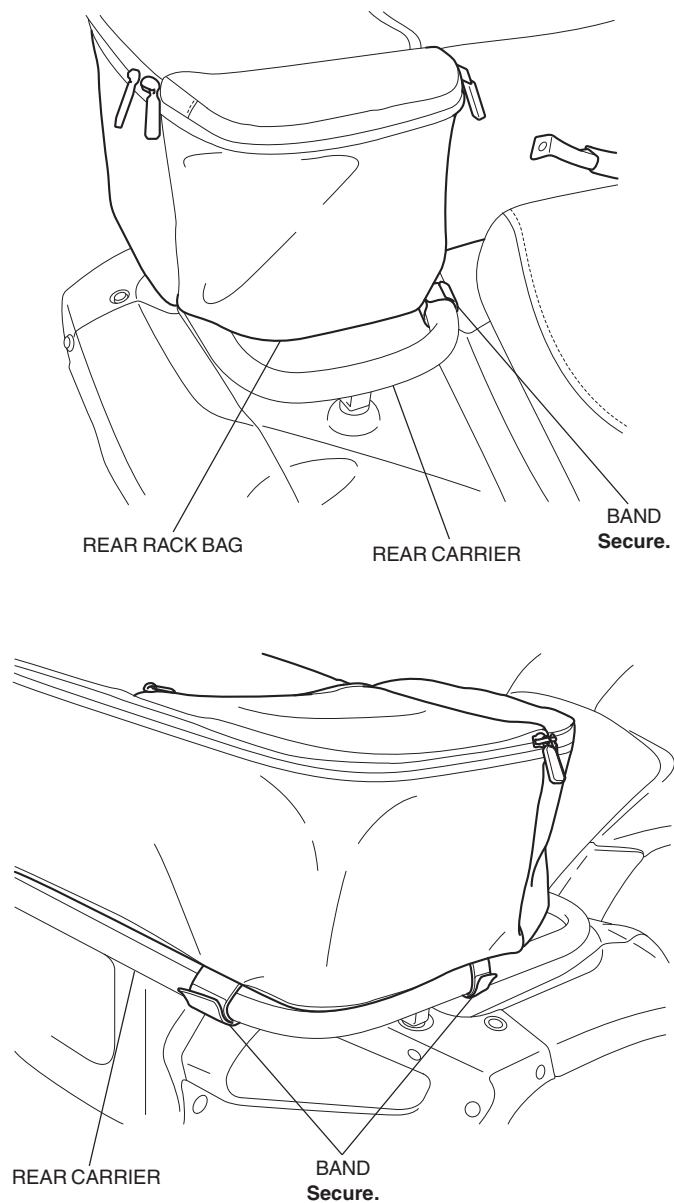


2. Position the rear rack bag on the rear carrier and secure it by tightening the belt as shown.



3. Secure the bands of the rear rack bag to the rear carrier as shown.

<RIGHT>



4. Repeat Step 3 on the left side to secure the rear rack bag.