



INSTALLATION INSTRUCTIONS

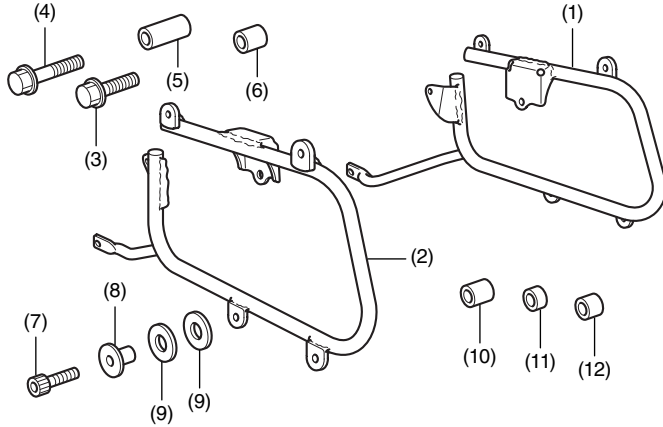
Accessory
SADDLEBAG MOUNTING BRACKET
 P/N 08L56-MFY-100

Application
VT1300CR

Publication No.
MII 13075
 Issue Date
Revised September 2010

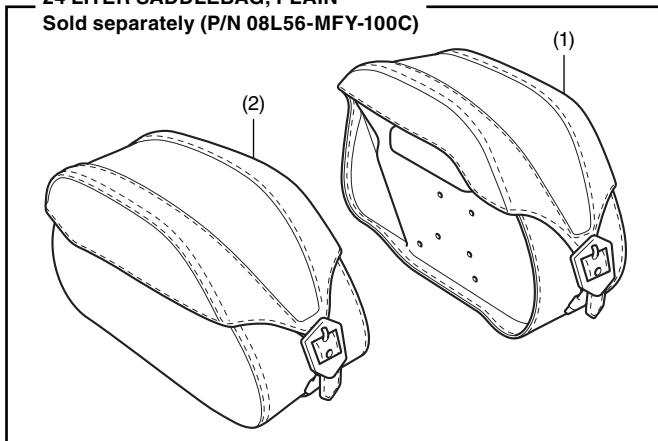
Honda Dealer: Please give a copy of these instructions to your customer.

PARTS LIST



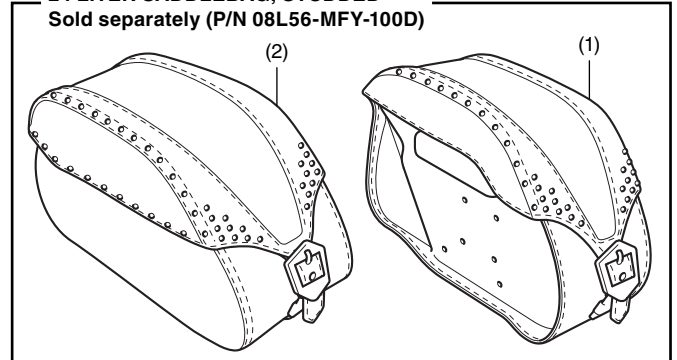
No.	Description	Qty
(1)	Right saddlebag stay	1
(2)	Left saddlebag stay	1
(3)	8 mm flange bolt (short)	2
(4)	8 mm flange bolt (long)	2
(5)	8.5 x 42 mm collar	2
(6)	8.5 x 20 mm collar	2
(7)	6 mm socket bolt	8
(8)	Flange collar	8
(9)	Rubber washer	16
(10)	8.5 x 24 mm collar	2
(11)	8.5 x 8.5 mm collar	2
(12)	8.5 x 16 mm collar	2

24 LITER SADDLEBAG, PLAIN Sold separately (P/N 08L56-MFY-100C)



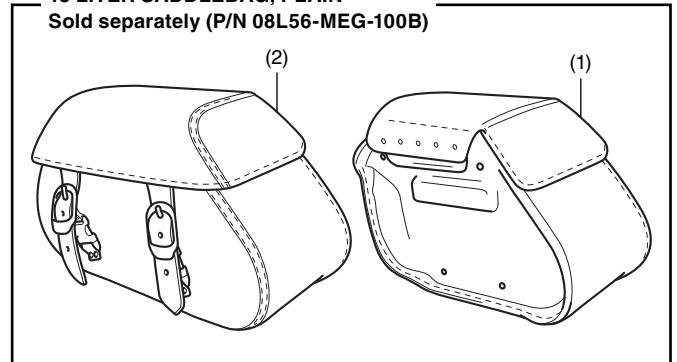
No.	Description	Qty
(1)	Right leather saddlebag	1
(2)	Left leather saddlebag	1

24 LITER SADDLEBAG, STUDED Sold separately (P/N 08L56-MFY-100D)



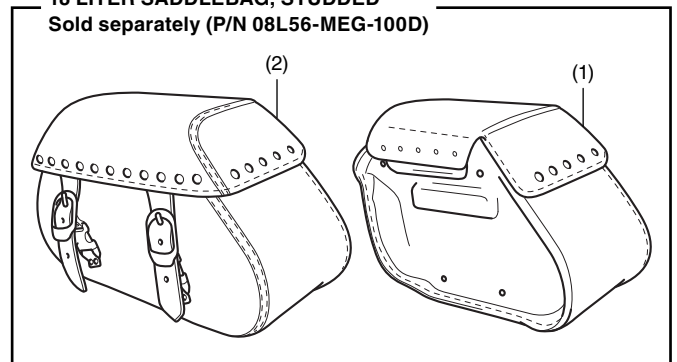
No.	Description	Qty
(1)	Right leather saddlebag	1
(2)	Left leather saddlebag	1

18 LITER SADDLEBAG, PLAIN Sold separately (P/N 08L56-MEG-100B)



No.	Description	Qty
(1)	Right leather saddlebag	1
(2)	Left leather saddlebag	1

18 LITER SADDLEBAG, STUDED Sold separately (P/N 08L56-MEG-100D)



No.	Description	Qty
(1)	Right leather saddlebag	1
(2)	Left leather saddlebag	1

TOOLS AND SUPPLIES REQUIRED

Socket (12 mm)
 Ratchet
 Box-end wrench (12 mm)
 Hex wrench (5 mm)
 Electric Drill
 Drill bit (6.5 mm)
 Holesaw (30 mm)
 Wood block
 Shop towel
 Torque wrench

TORQUE CHART

Tighten all screws, bolts, and nuts to their specified torque values. Refer to the Service Manual for the torque values of the removed parts.

Item	N-m	kgf-m	lbf-ft
6 mm socket bolt	10	1.0	7
8 mm flange bolt	27	2.8	20

USE AND CARE INFORMATION

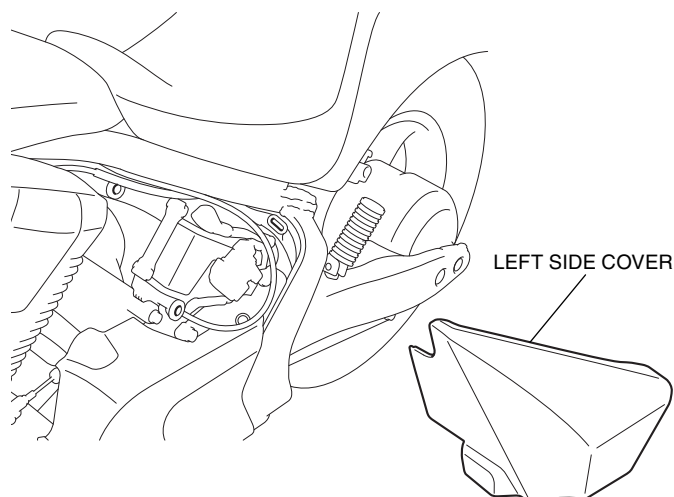
- The weight of the cargo must not exceed the following maximum weight capacity:

Maximum Weight Capacity	
Right leather saddlebag	10 lbs (4.5 kg)
Left leather saddlebag	10 lbs (4.5 kg)

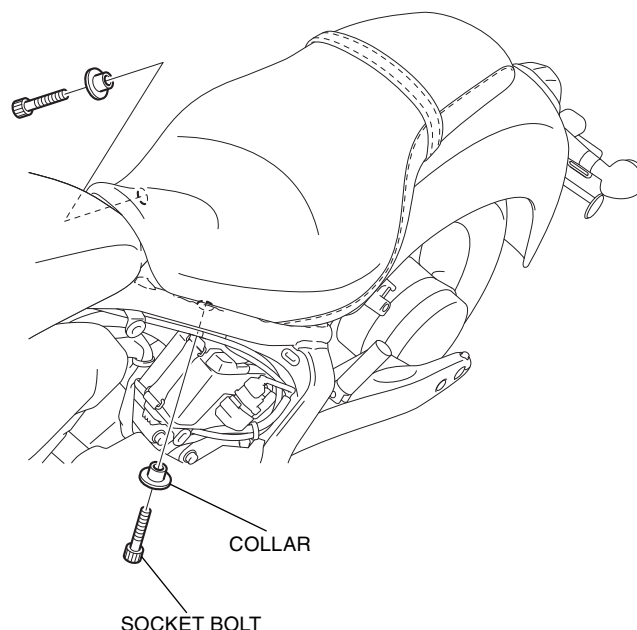
- The leather saddlebags are a high quality leather product that must be cared for. To protect the bags from exposure to weather, clean and condition the leather periodically with high-quality leather care products.
- If the bags become completely wet (water has soaked through the leather), they must be dried at room temperature. Never dry the bags in a dryer, in front of a heater, or near a fireplace. When allowing the bags to dry, stuff them with newspaper so they retain their shape. Allow two to three days for the bags to dry completely. After drying, apply a high-quality leather conditioner.
- Before riding, confirm that the lid is closed and do not open and close it while riding.
- Load the luggage evenly between the right and left side.
- The saddlebags are not perfectly watertight, and water may enter when washing the motorcycle, when it rains, etc.
- Do not place valuables or easily breakable items in the saddlebags.
- Check the accessory mounts frequently and retighten if necessary.

INSTALLATION

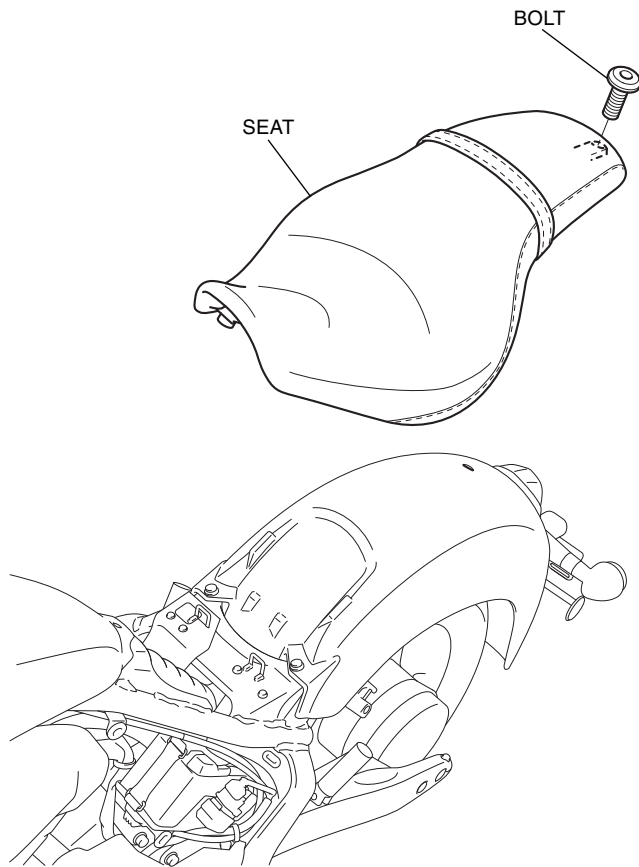
- Remove the left side cover as shown.



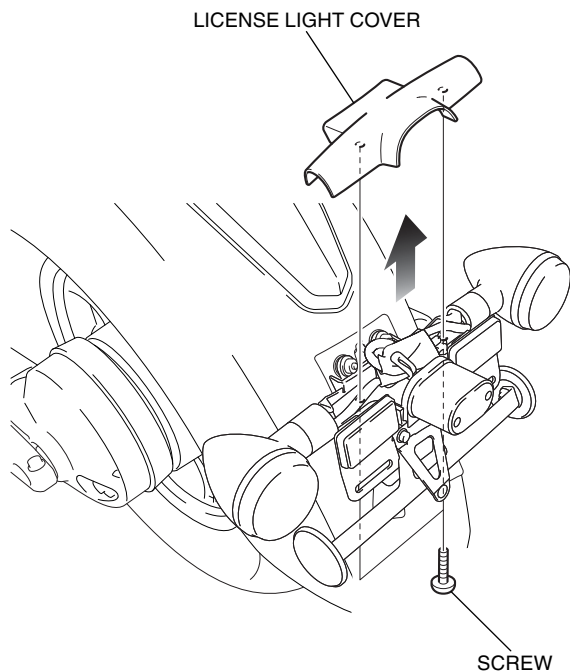
- Repeat on the right side.
- Remove the seat bolts as shown.



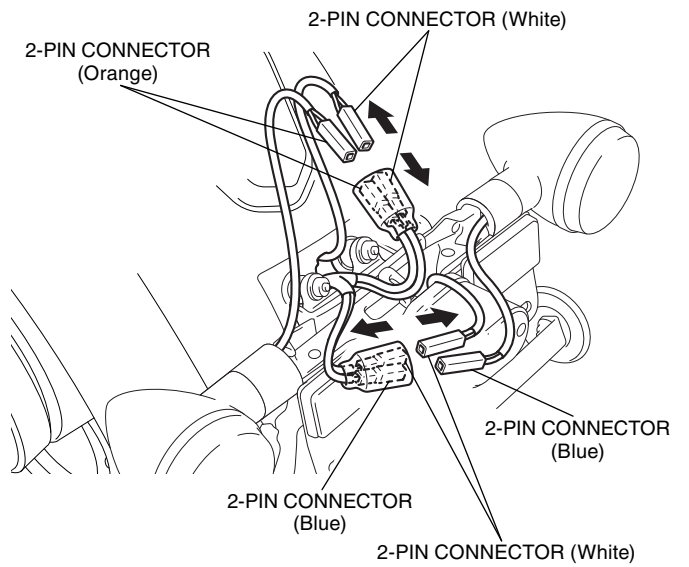
4. Remove the seat from the motorcycle as shown.



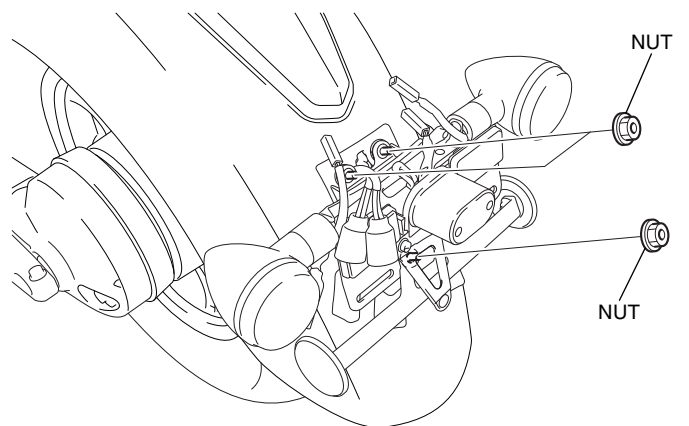
5. Remove the two screws and license light cover as shown.



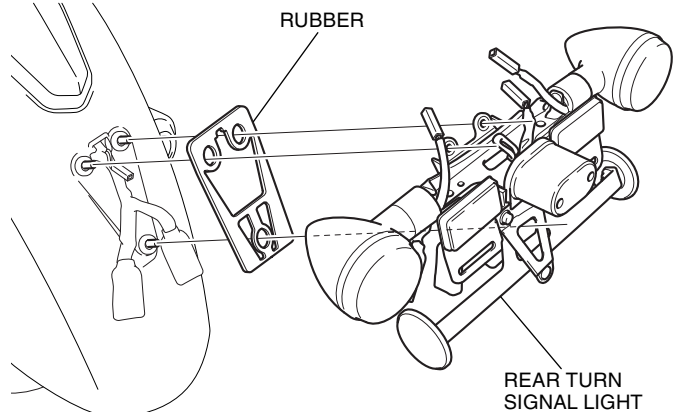
6. Disconnect the connectors.



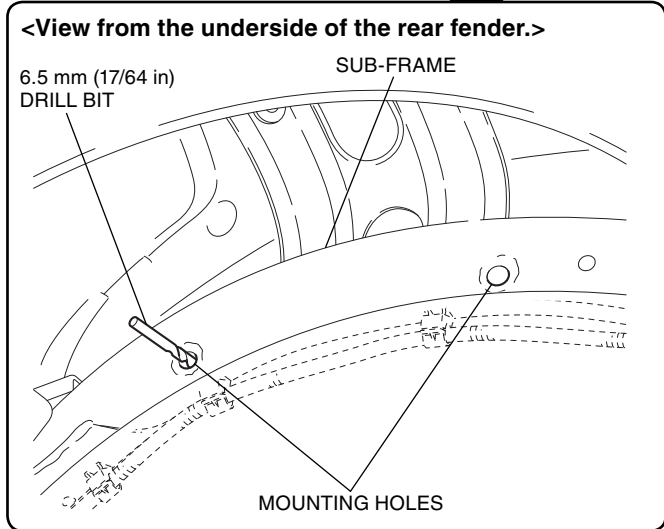
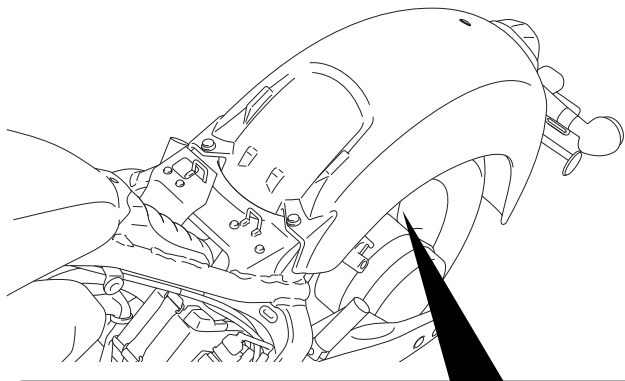
7. Remove the nuts as shown.



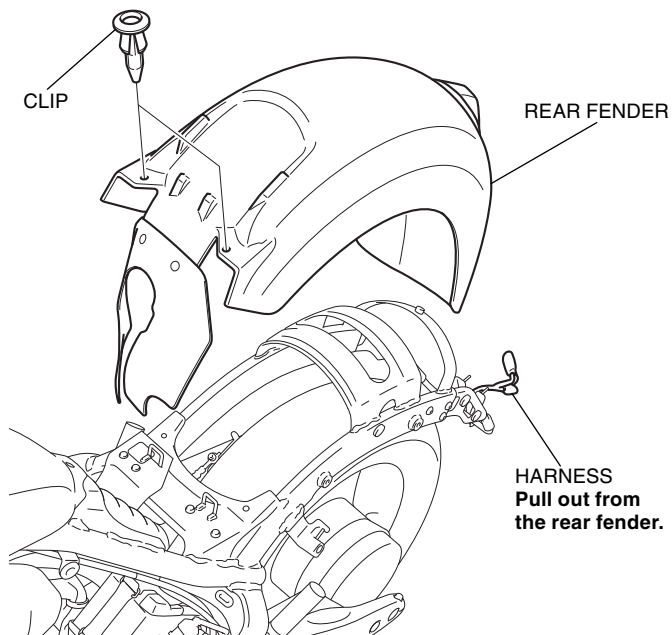
8. Remove the rear turn signal light as shown.



9. Insert a 6.5 mm (17/64 in) drill bit through the mounting hole in the sub-frame as shown. Make a mark on the inside of the rear fender by twisting the drill bit with your fingers.



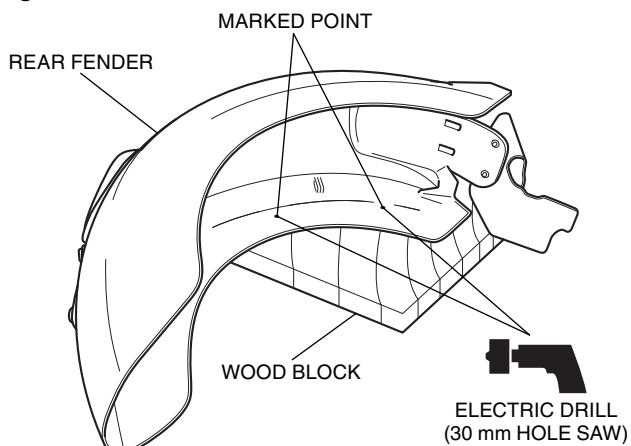
10. Repeat the above procedure on the remaining right and left side mounting holes.
 11. Remove the rear fender as shown.



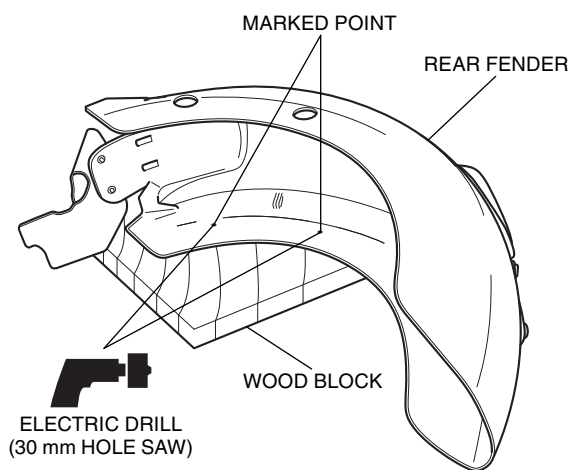
12. Drill the rear fender at the marked points as shown.

- Remove any burrs from the edge of the hole.

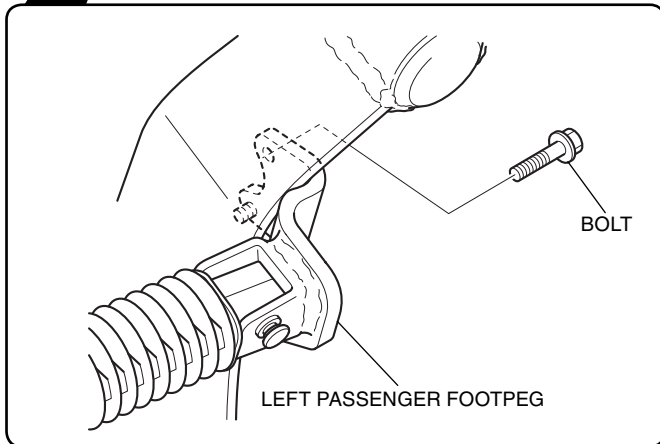
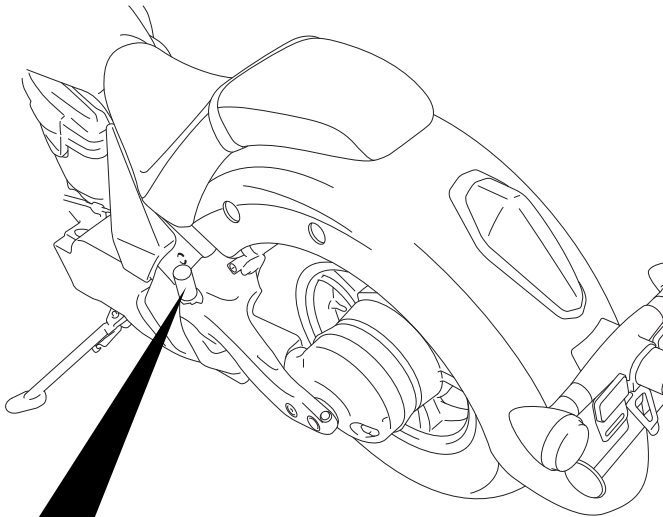
<Right side>



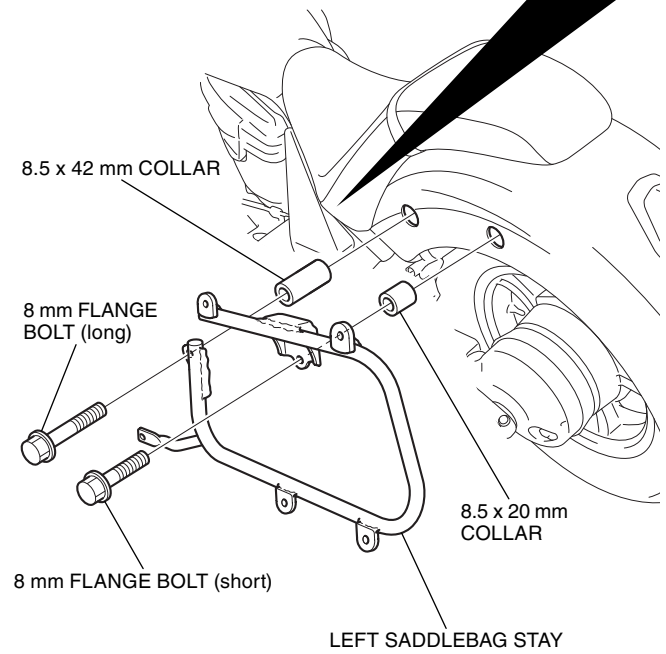
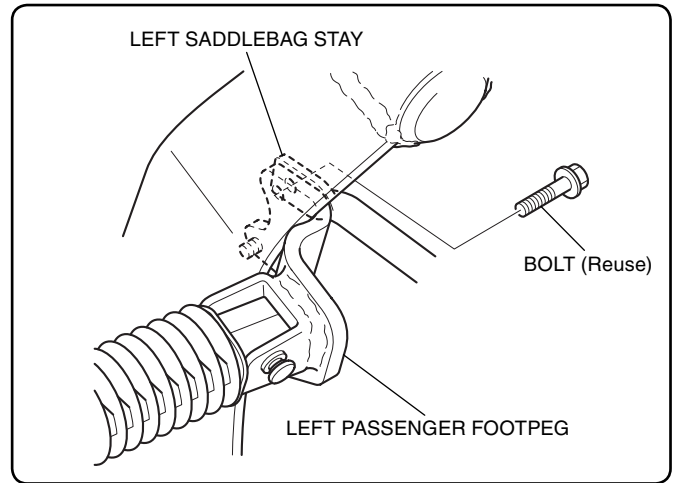
<Left side>



13. Install the motorcycle's parts in the reverse order of removal.
14. Remove the bolt as shown.

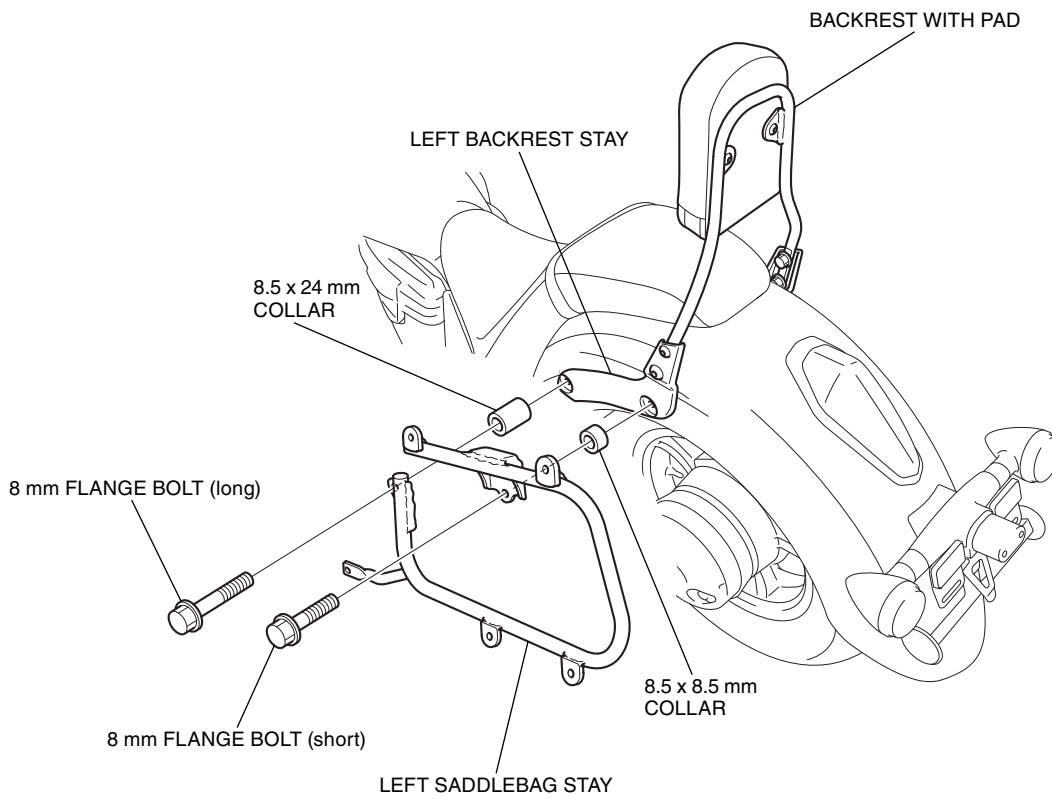


15. Loosely install the left leather saddlebag stay.



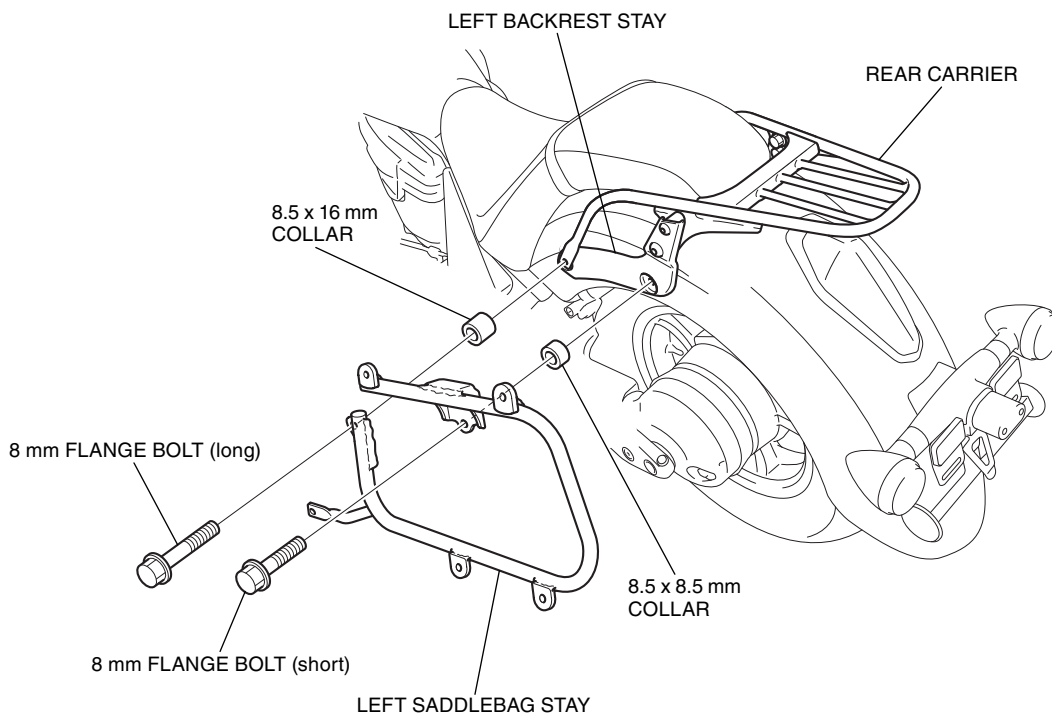
To install the Backrest With Pad (TALL) or the Backrest With Pad (LOW)

1. Loosely install the left backrest stay as shown.



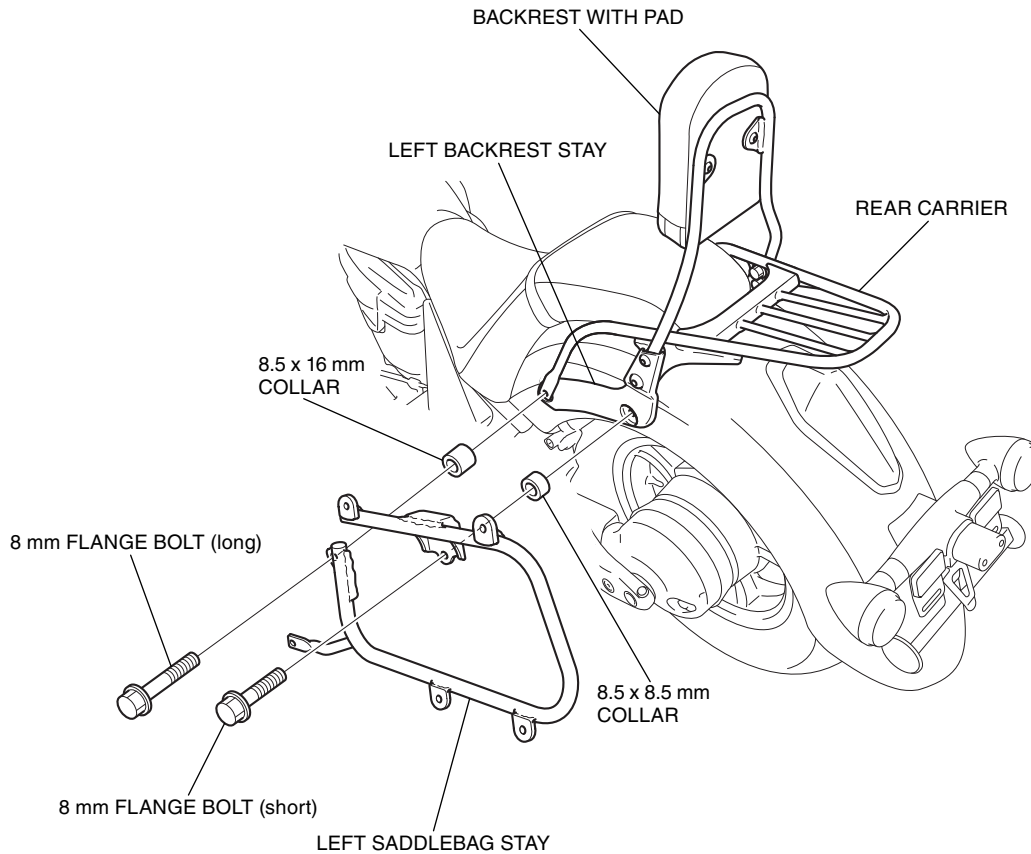
To install the Rear Carrier

1. Loosely install the rear carrier as shown.

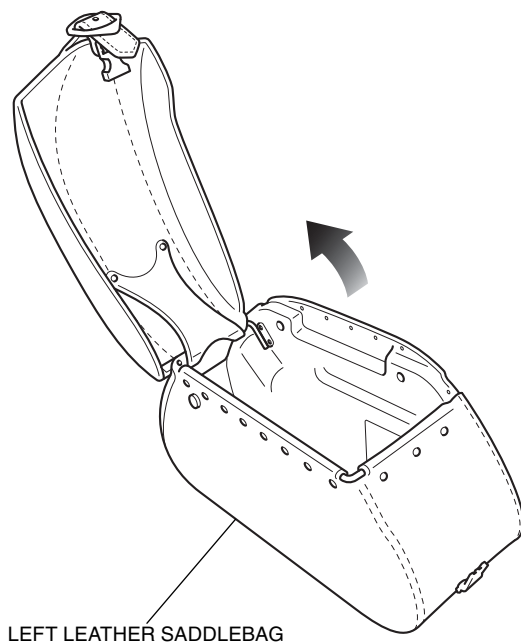


To install the Backrest With Pad and Rear Carrier

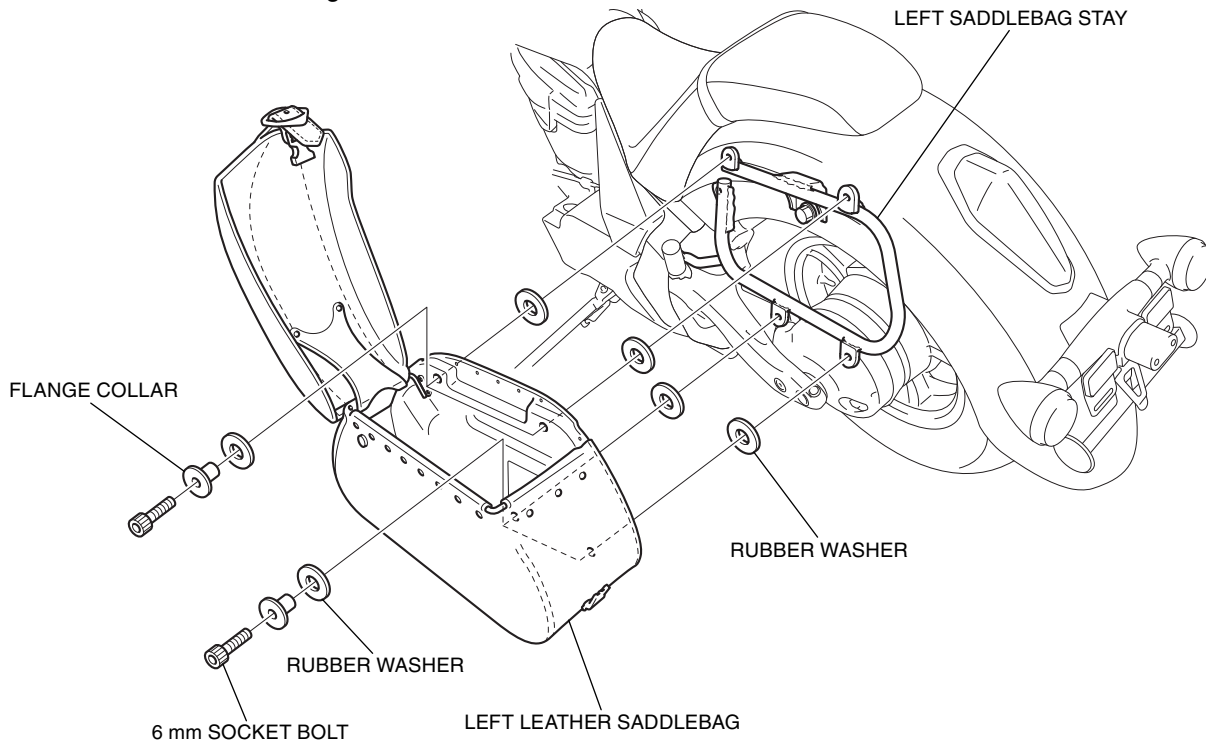
1. Loosely install the backrest with pad and rear carrier as shown.



16. Repeat on the right side.
17. Tighten all hardware to the specifications in the torque chart after adjusting the overall fit.
18. Open the leather saddlebag as shown.



19. Install the left saddlebag as shown.



20. Repeat on the right side.

How to use the helmet holder

Pass the helmet lock extension cable (P/N 77236-KAZ-780) through the helmet ring as shown and install the helmet lock extension cable on the helmet holder.

- Use the helmet lock extension cable only when parked.
- Attach the helmet so that it does not come into contact with the ground.

