

HONDA

INSTALLATION INSTRUCTIONS

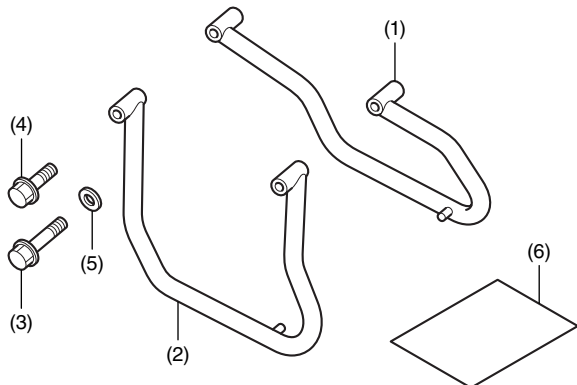
Accessory
SADDLEBAG SUPPORT
 P/N 08L71-K87-A00

Application
CMX500/A
CMX300/A

Publication No.
MII 16241
 Issue Date
April 2017

Honda Dealer: Please give a copy of these instructions to your customer.

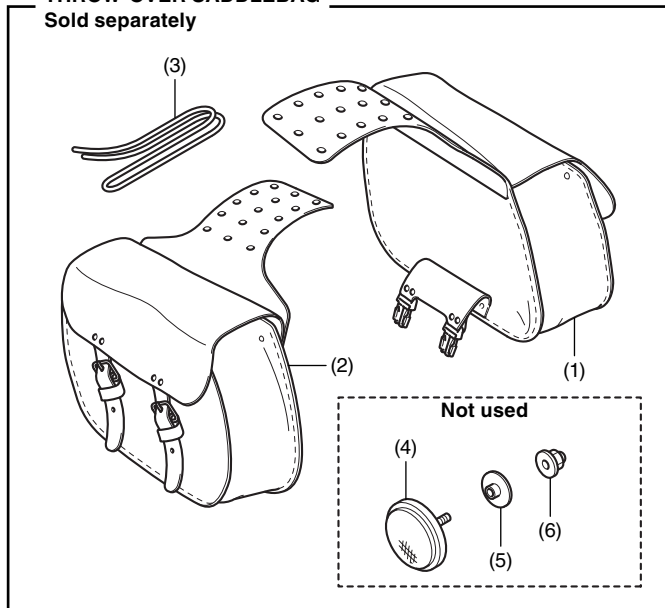
PARTS LIST



No.	Description	Qty
(1)	Right support pipe	1
(2)	Left support pipe	1
(3)	8 mm flange bolt (long)	4
(4)	8 mm flange bolt (short)	4
(5)	8 mm washer	4
(6)	Installation Instruction URL	1

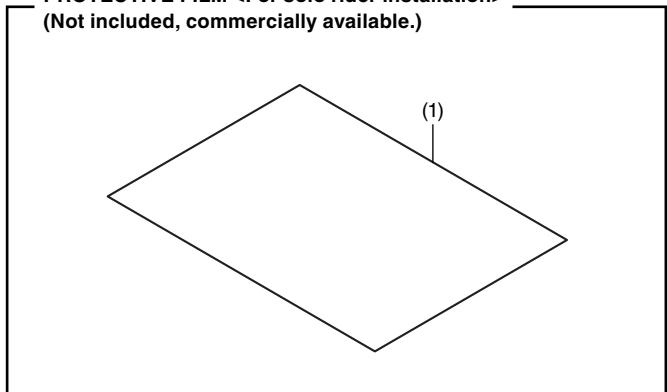
THROW-OVER SADDLEBAG

Sold separately



No.	Description	Qty
(1)	Right saddlebag	1
(2)	Left saddlebag	1
(3)	Leather strap	1
(4)	Reflector [Not used.]	2
(5)	Flange collar [Not used.]	2
(6)	6 mm cap nut [Not used.]	2

PROTECTIVE FILM <For solo rider installation>
 (Not included, commercially available.)



No.	Description	Qty
(1)	Protective film	1

TOOLS AND SUPPLIES REQUIRED

- Socket (12 mm)
- Ratchet
- Scissors
- Ruler
- Isopropyl alcohol
- Shop towel
- Torque wrench

TORQUE CHART

Tighten all screws, bolts, and nuts to their specified torque values. Refer to the Service Manual for the torque values of the removed parts.

Item	N-m	kgf-m	lbf-ft
8 mm flange bolt	27	2.8	20

MAXIMUM LOADING CAPACITY

- The weight of the cargo must not exceed the following maximum loading capacity:

Maximum Loading Capacity	
Right saddlebag	3.0 kg (6.6 lb)
Left saddlebag	3.0 kg (6.6 lb)

INSTALLATION (For solo rider)

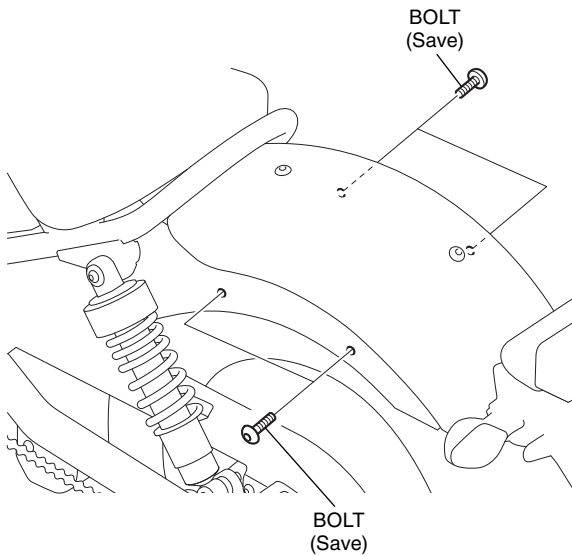
▲ CAUTION

- To prevent burns, allow the engine, exhaust system, radiator, etc. to cool before installing the accessory.

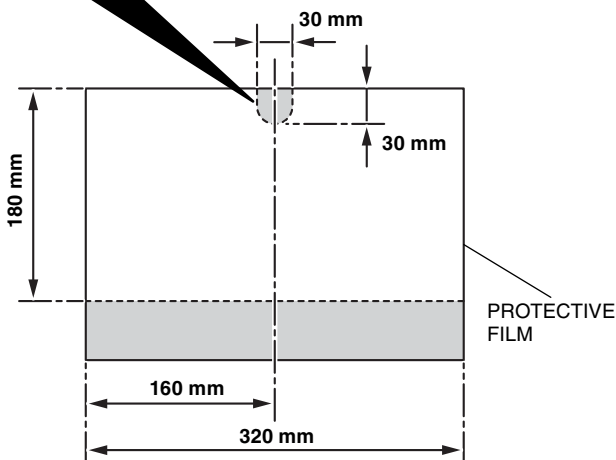
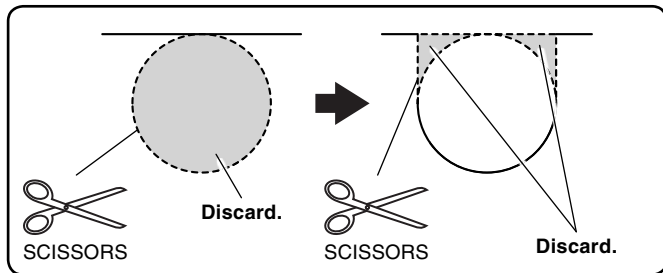
NOTE:

- Take care not to damage the painted surfaces of the motorcycle.
- When replacing any other accessory that is required to install this accessory, follow these instructions only.

- Refer to the Service Manual for the motorcycle, remove the bolts as shown.

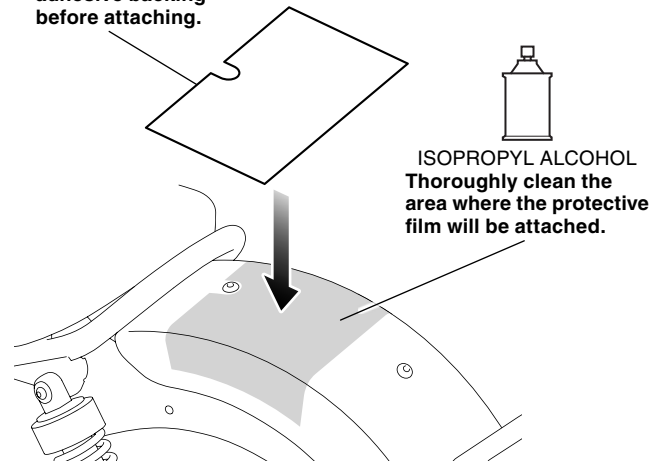


- Cut the protective film to the dimensions shown.



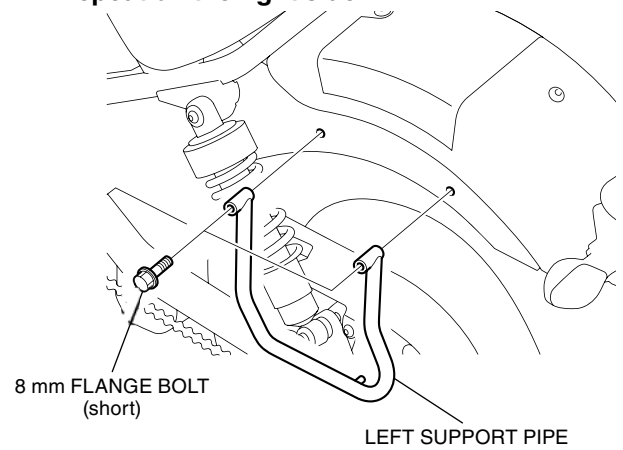
- Attach the protective film on the rear fender as shown.

PROTECTIVE FILM
Remove the adhesive backing before attaching.

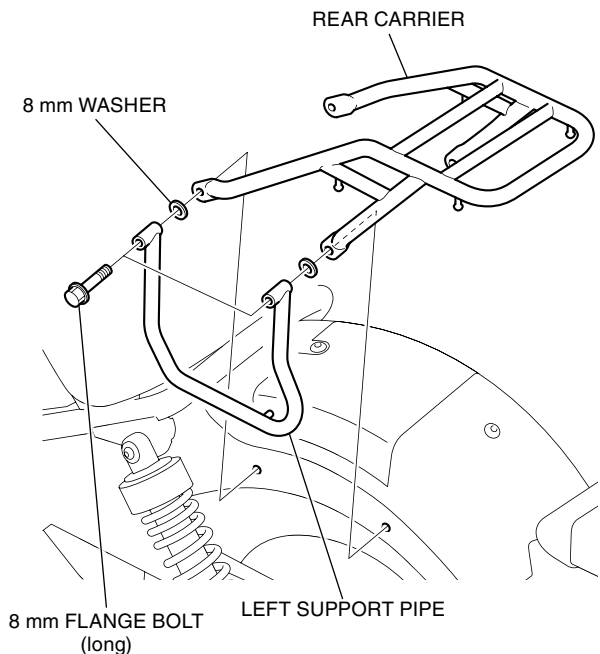


- Install the 8 mm flange bolts and left support pipe as shown.

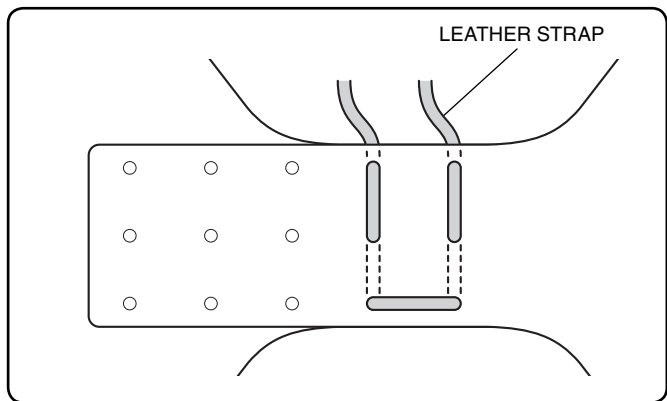
- Repeat on the right side.



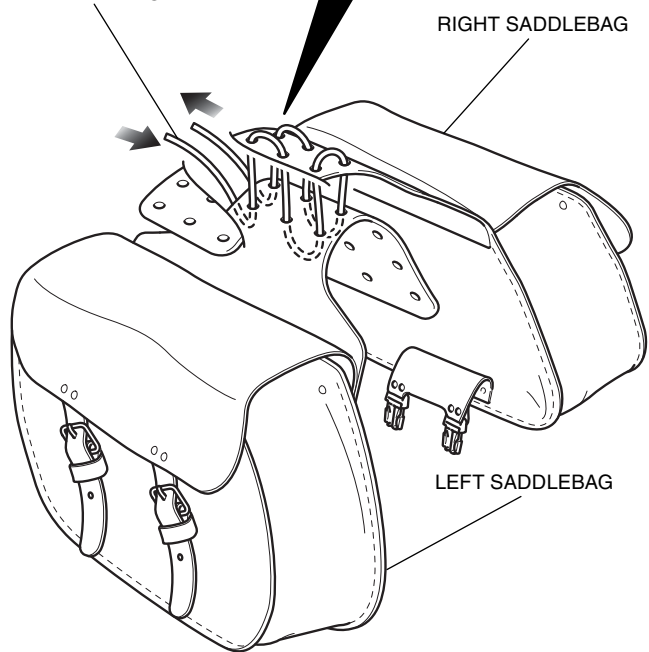
Motorcycle with the Rear carrier and this accessory.



5. Tie the right and left saddlebag together using the leather strap.

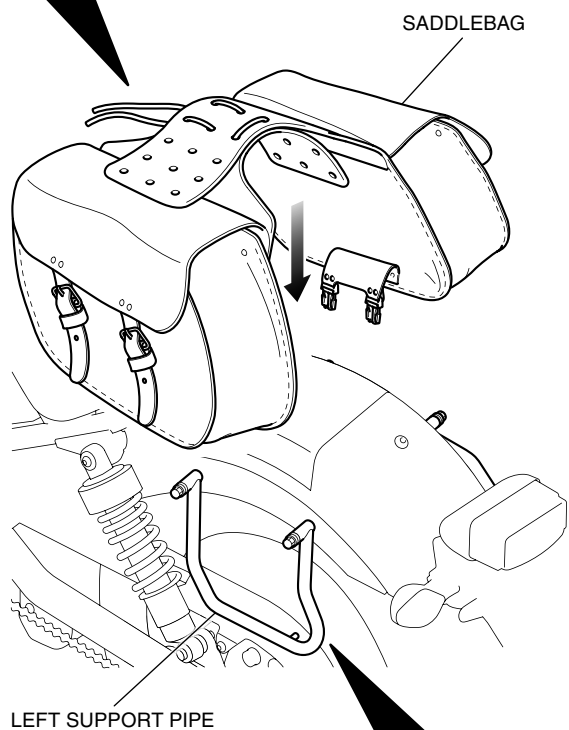
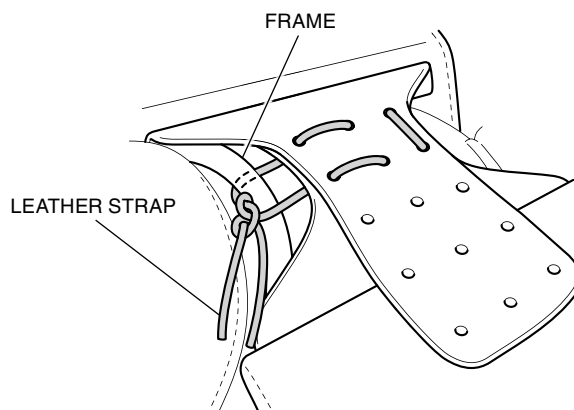


LEATHER STRAP
Included in the throw-
over saddlebag.



6. Install the throw-over saddlebag as shown.

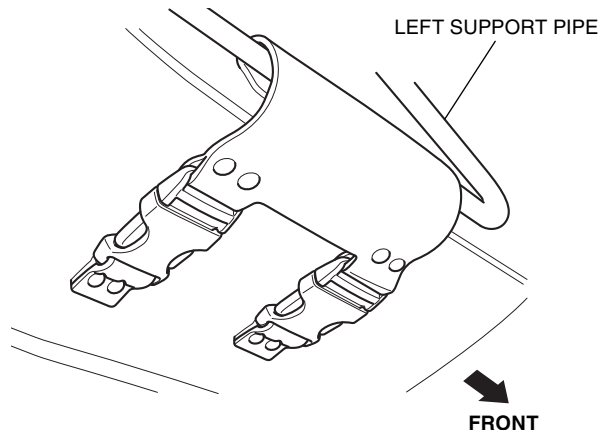
Route the leather strap through the frame and tie it as shown.



Bottom view

Secure the bag to the support pipe as shown.

- Repeat on the right side.



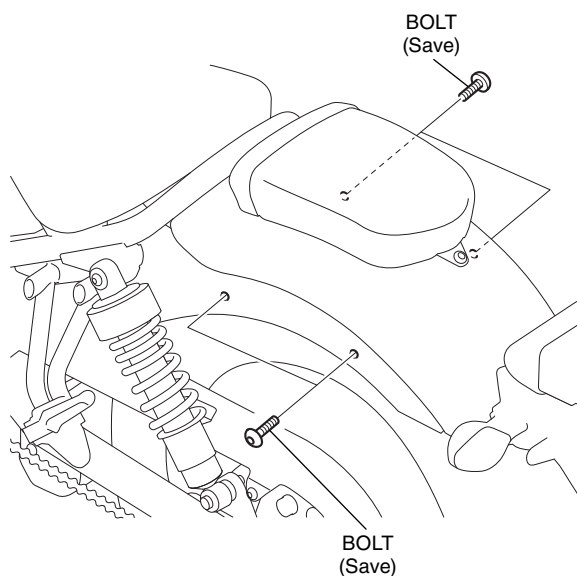
INSTALLATION (With accessory passenger seat)

▲ CAUTION

- To prevent burns, allow the engine, exhaust system, radiator, etc. to cool before installing the accessory.

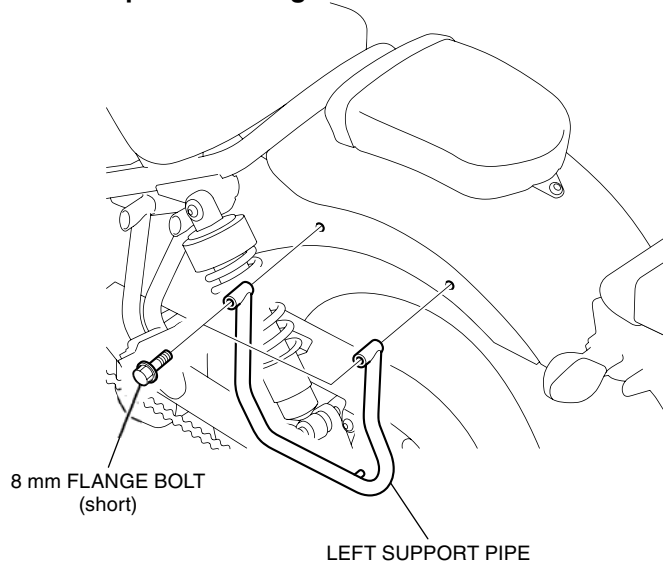
NOTE:

- Take care not to damage the painted surfaces of the motorcycle.
 - When replacing any other accessory that is required to install this accessory, follow these instructions only.
1. Refer to the Service Manual for the motorcycle, remove the bolts.

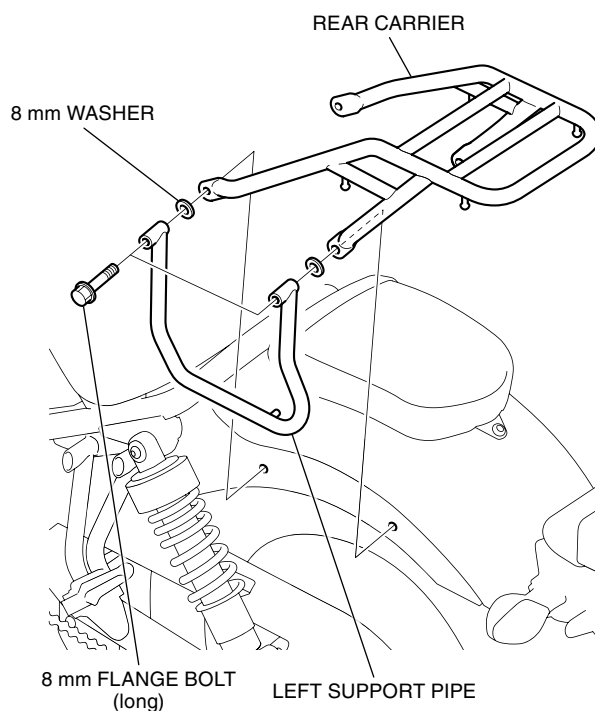


2. Install the 8 mm bolts and left support pipe as shown.

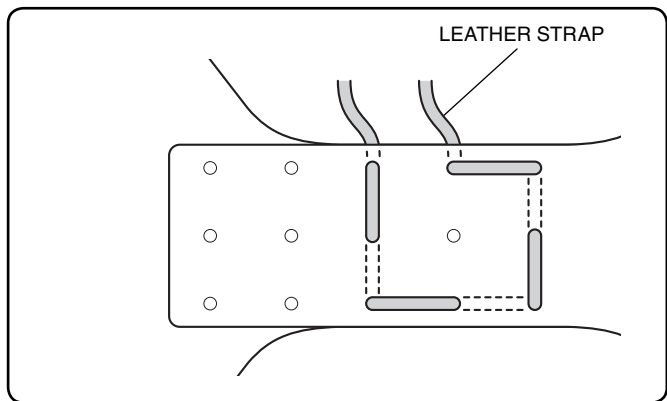
- Repeat on the right side.



Motorcycle with the Rear carrier and this accessory.

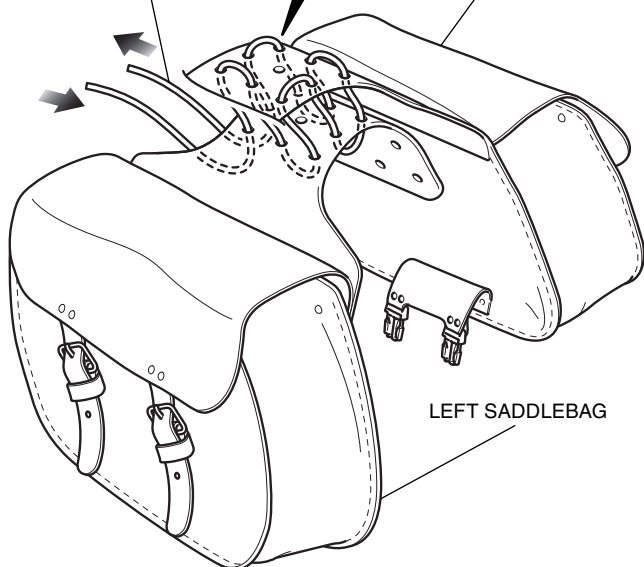


3. Tie the right and left saddlebag together using the leather strap.



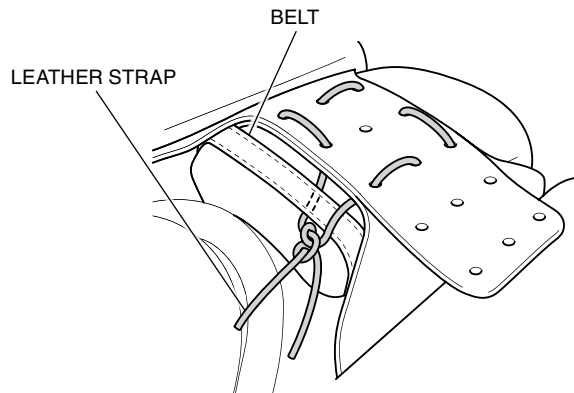
LEATHER STRAP
Included in the throw-
over saddlebag.

RIGHT SADDLEBAG

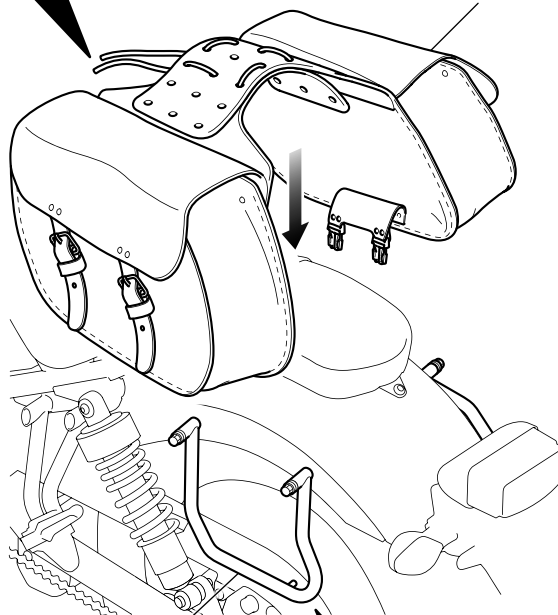


4. Install the throw-over saddlebag as shown.

Route the leather strap through the belt and tie it as shown.



SADDLEBAG



LEFT SUPPORT PIPE

Bottom view

Secure the bag to the support pipe as shown.

- Repeat on the right side.

