



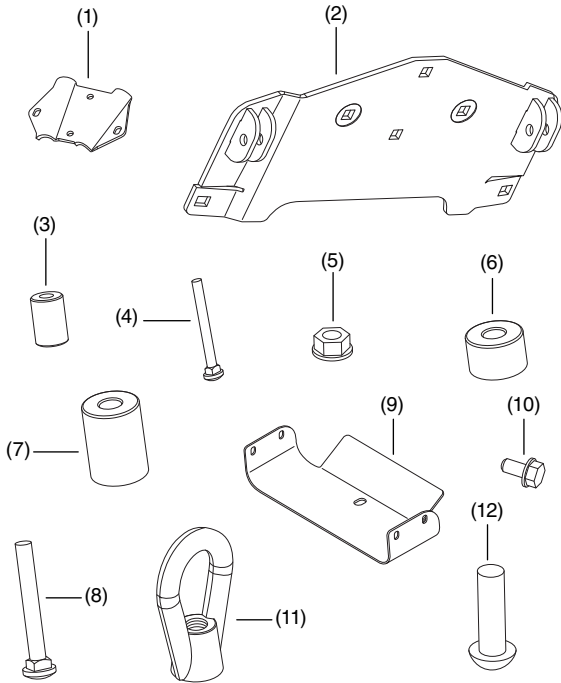
INSTALLATION INSTRUCTIONS

Accessory
PLOW MOUNT
P/N 08L75-HR3-A20

Application
After '13 TRX420
(All except FA/FPA)
After '13 TRX500
(All except FA/FPA)

Publication No.
MII 14766
Issue Date
November 2013

PARTS LIST



No.	Description	Qty
(1)	Plow clamp	2
(2)	Plow plate	1
(3)	Plow mount spacer	4
(4)	8 x 60 mm carriage bolt	4
(5)	8 mm flange nut	10
(6)	Short spacer	2
(7)	Long spacer	2
(8)	8 x 65 mm carriage bolt	2
(9)	Plow skid plate	1
(10)	8 x 20 mm hex bolt	4
(11)	12 mm lift eye	1
(12)	12 x 40 mm hex socket bolt	1

Plow Push Tube Set & Plow Blade (54 inch)
(Sold separately)

The Plow Push Tube Set (P/N 08L77-HR3-A21) and Plow Blade - 54 inch (P/N 08L76-HR3-A21) are required for the installation of this accessory.

TOOLS REQUIRED

- Torque wrench
- 13 mm socket
- 13 mm wrench
- 8 mm hex key
- Power drill
- Step drill with 1 inch capacity

TORQUE CHART

Tighten all screws, bolts, and nuts to their specified torque values. Refer to the Service Manual for the torque values of the removed parts.

Item	N-m	kgf-m	lbf-ft
8 mm bolt	22	2.2	16
12 mm bolt	55	5.6	41

USE AND CARE INFORMATION

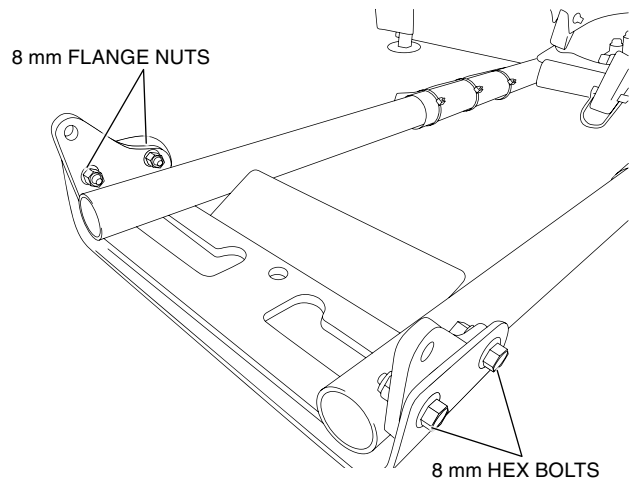
- Check the accessory mounts frequently and retighten if necessary.
- Replace this accessory with a new one if it is damaged or discolored excessively.

NOTICE

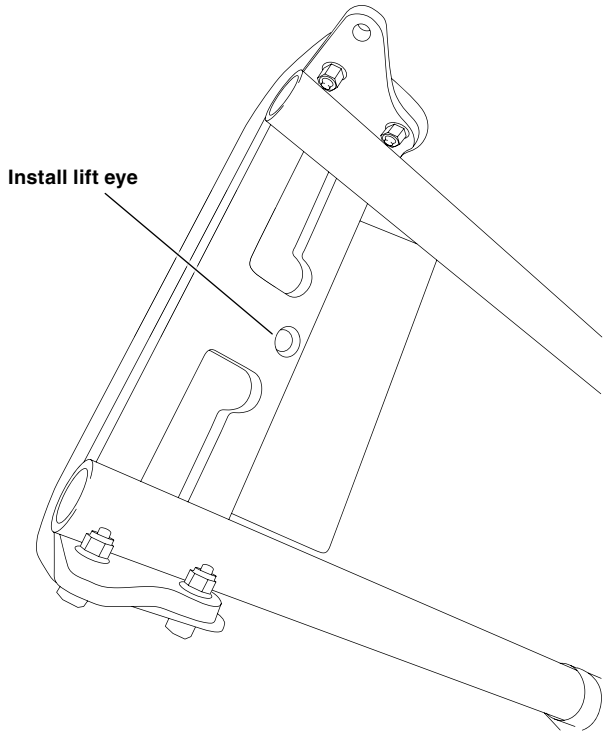
- Never exceed 5 MPH with the plow attached.
- Set the front shock preload to maximum when using the plow.
- Always make sure the tire pressure is at 35 kPa (5 psi) when using the plow.

INSTALLATION

1. Install the plow skid plate on the plow tubes using four 8 x 20 mm hex bolts and four 8 mm flange nuts. The nuts will be on the inside.



2. Install the 12 mm lift eye through the hole marked in the picture below by inserting the 12 x 40 mm bolt through the bottom and screwing the lift eye onto it.

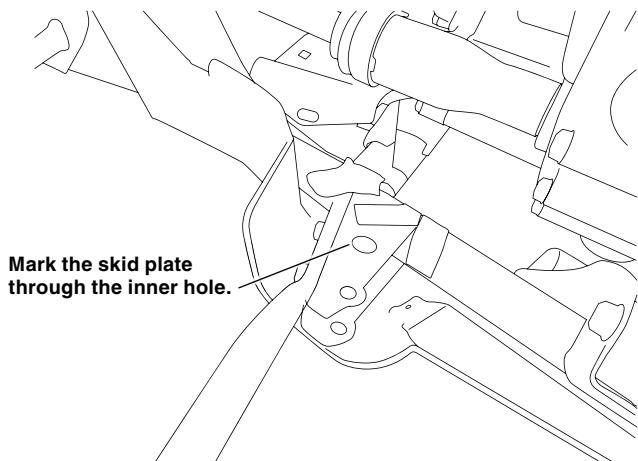


3. Refer to the Service Manual and remove the center mudguards and side cover.

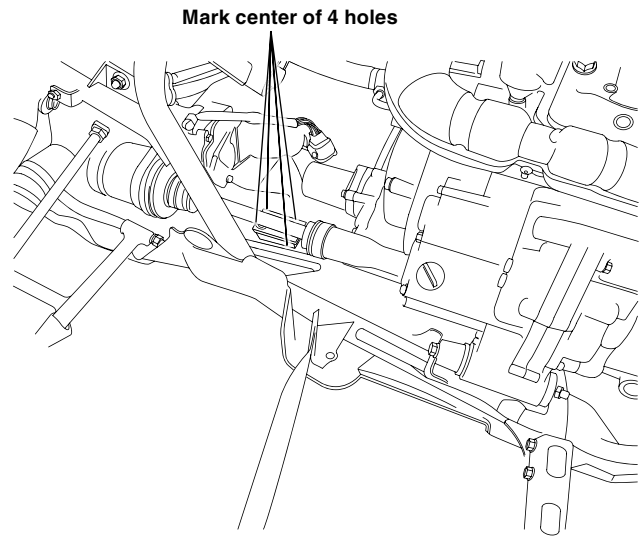
NOTE:

- Skip steps 4, 5 and 7 if using the accessory aluminum skid plate.

4. Transfer the center of the inner hole in the frame to the original skid plate with a mark (both sides).



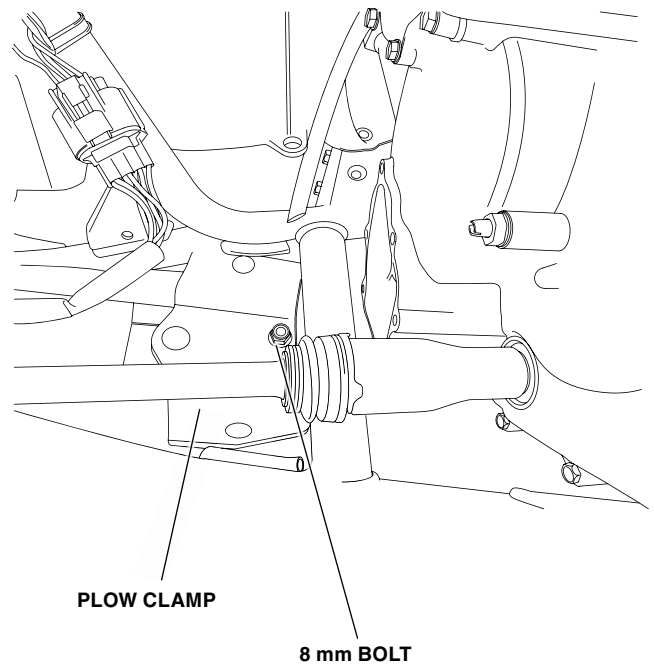
5. Place the upper skid plate clamp on the frame in the proper location and mark the center of all four holes on the original skid plate.



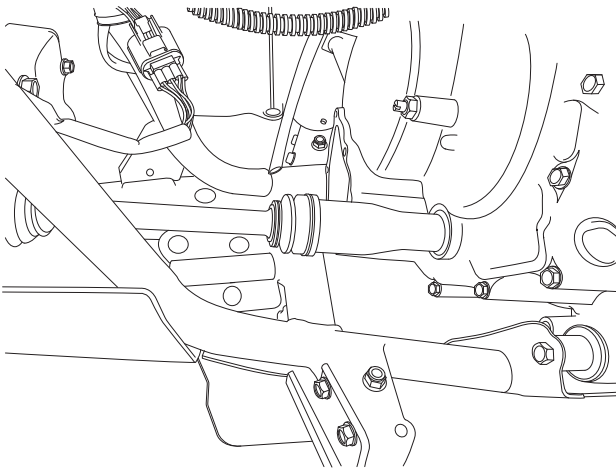
6. Refer to the Service Manual and remove the skid plate.

7. Drill 1 inch holes in the skid plate at the positions marked in Steps 4 and 5.

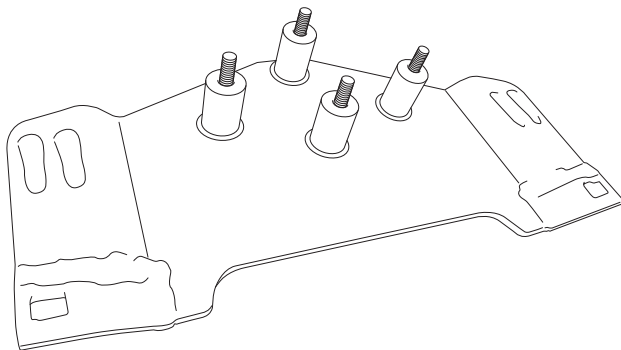
8. Place the plow clamps into position on the frame tubes as shown. Temporarily thread an 8 mm bolt through the plow clamps to hold them in place.



9. Refer to the Service Manual and reinstall the skid plate. (Accessory skid plate shown in remaining steps.)

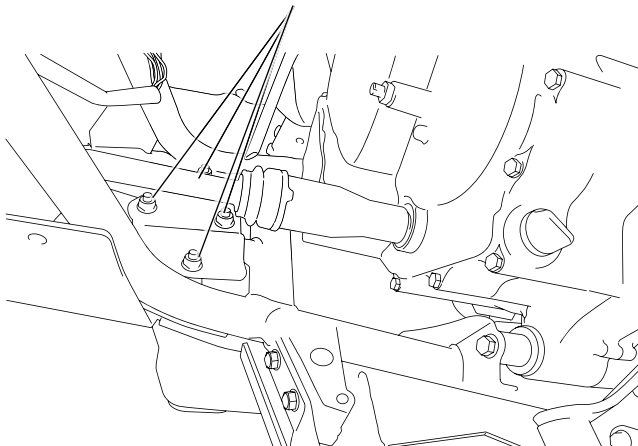


10. Assemble the plow plate as shown using four 8 x 60 mm carriage bolts and the plow mount spacers.

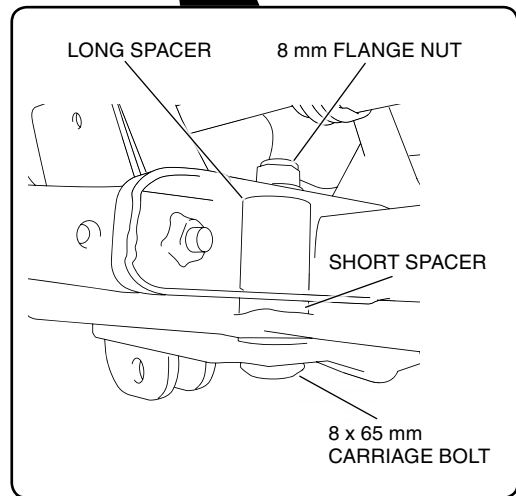
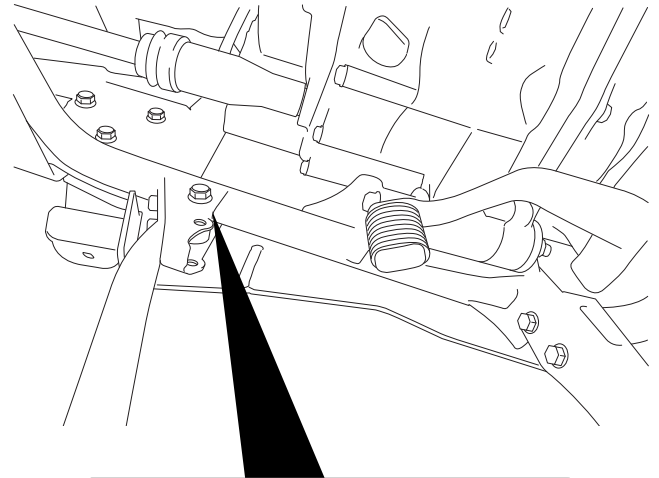


11. Loosely thread four 8 mm flange nuts onto the 8 x 60 mm carriage bolts to hold the plow plate in position.

FLANGE NUT



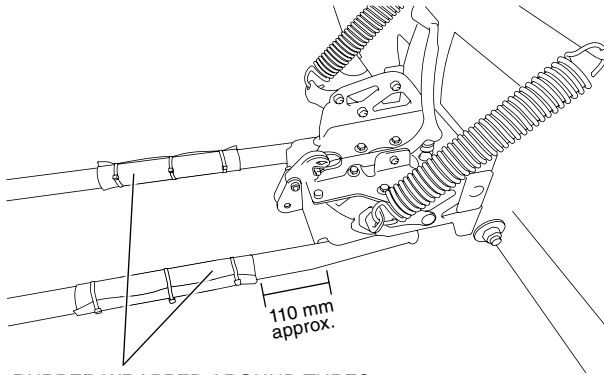
12. Install the remaining hardware as shown on both sides.



13. Tighten all bolts to the specification in the Torque Chart.

14. Refer to the Service Manual and reinstall the center mudguards and side covers.

15. Wrap each push tube with a piece of rubber approximately 110 mm from the joint between the push tube bracket and the tube. Secure each piece with three zip ties and cut off the ends of the zip ties.



16. Proceed to the Plow Push Tube Set Installation Instructions included with the Plow Push Tube Set package.