



INSTALLATION INSTRUCTIONS

ATV Plow Base Kit

WARN Part Number: 78100
Application: All Terrain Vehicles

Your safety, and the safety of others, is very important. To help you make informed decisions about safety, we have provided installation and operating instructions and other information on labels and in this guide. This information alerts you to potential hazards that could hurt you or others. It is not possible to warn you about all potential hazards associated with this product, you must use your own good judgment.

CARELESS INSTALLATION AND OPERATION CAN RESULT IN SERIOUS INJURY OR EQUIPMENT DAMAGE. READ AND UNDERSTAND ALL SAFETY PRECAUTIONS AND OPERATING INSTRUCTIONS BEFORE INSTALLING AND OPERATING THIS PRODUCT.

This guide identifies potential hazards and has important safety messages that help you and others avoid personal injury or death. **WARNING** and **CAUTION** are signal words that identify the level of hazard. These signal words mean:

▲WARNING signals a hazard that *could* cause serious injury or death, if you do not follow recommendations. **▲CAUTION** signals a hazard that *may* cause minor to moderate injury, if you do not follow recommendations.

This guide uses **NOTICE** to call attention to important mechanical information, and **Note**: to emphasize general information worthy of special attention.

▲ WARNING

INJURY HAZARD

Failure to observe these instructions could lead to severe injury or death.

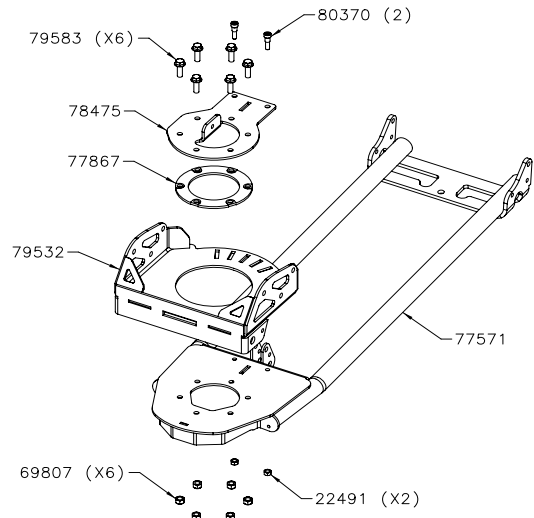
- Always** Read the Plow Operator's Manual, the Winch Operator's Manual and all warning labels before operating.
- Always** use extreme caution when drilling on any vehicle. Make sure that all fuel lines, brake lines, electrical wires, and other objects are not punctured or damaged when/if drilling on the vehicle. Thoroughly inspect the area to be drilled (on both sides of material) prior to drilling, and relocate any objects that may be damaged. Failure to inspect the area to be drilled may result in vehicle damage, electrical shock, fire or personal injury.
- Always** wear safety glasses when installing this kit. A drilling operation will cause flying metal chips. Flying chips can cause eye injury.
- Always** use extreme caution when cutting and trimming during fitting.
- Always** remove jewelry and wear eye protection.
- Never** lean over battery while making connections.
- Never route electrical cables:**
 - Across any sharp edges.
 - Through or near moving parts.
 - Near parts that become hot.
- Always** insulate and protect all exposed wiring and electrical terminals.
- Always** install terminal boots as directed in installation instructions.
- Always** use appropriate and adequate care in lifting components into place.
- Always** insure components will remain secure during installation and operation.
- Always** tighten all nuts and bolts securely, per the installation instructions.
- Always** operate the vehicle at a walking speed with the blade installed. Never exceed 5 mph (8 km/h), even with blade up.
- Always** plow cautiously, impact with hidden or stationary object may cause the vehicle to stop suddenly or go out of control.
- Never** operate the vehicle on slopes greater than 10 degrees with the plow installed.
- Never** stand or ride on the plow.
- Always** stay clear of moving parts and joints. Always keep others away when operating or adjusting plow.
- Always** perform regular inspections and maintenance on the plow mechanism, fasteners, cable and related hardware.
- Always** replace all worn or damaged parts before operating.
- Never** operate this WARN product with damaged or missing parts.
- Always** drive slowly over bumpy and rough terrain. Driving at speeds that cause the plow to bounce while in the up position can cause the winch to back-drive, causing the plow to work its way down. This may result in the plow impacting a stationary object and cause damage to the vehicle and operator injury or death.
- Always** drive at speeds such that the plow does not bounce and be aware of the plow position while driving at all times.
- Always** be aware that the purpose of the j-bolt is to break the connection between the plow and the winch, to prevent serious damage to the ATV if the plow is raised too high. The plow blade will drop suddenly if the j-bolt breaks, so always be sure there are no bystanders when you raise and lower the plow.
- Never** raise the top of the plow above the headlights of the ATV, as it may damage the vehicle and plow.
- Always** replace a deformed or broken j-bolt with the spare j-bolt included in the kit.

Before You Begin

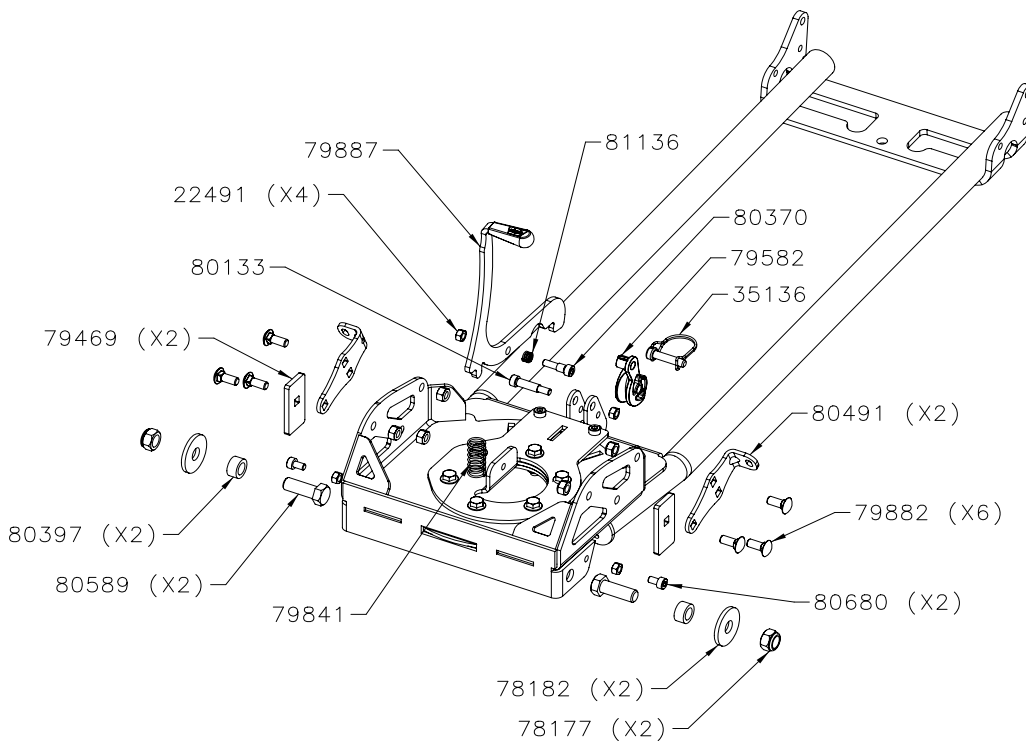
This kit also requires a WARN Plow Blade kit, a vehicle specific Plow Mounting kit, and a WARN lifting device such as a winch, electric actuator, or manual lift for raising and lowering the plow. Please contact your nearest dealer for part numbers.

Parts List

Part #	Qty	Description
22491	4	NUT M8-1.25 NYLOCK
80370	1	CPSCR SOCKET M8X20 10X12 SHOULDER
80133	1	CPSCR SOCKET M8X15 10X30 SHOULDER
80589	2	CPSCR M16-2 X45mm HEX HD GR 8.8 PL
78177	2	NUT LOCK INSERT M16
79882	6	BOLT CARRIAGE M10 X25
69807	6	NUT M10-1.5 HEX GR2 ZN ELASTIC INSERT
35136	3	PIN W/ RETAINER
80397	2	BUSHING RIB PLOW NG ATV
78182	2	WASHER RETAIN RIB PLOW 09
80491	2	BRKT TENSION SPRING PLOW
79469	2	STOP, BLADE, PLOW, ATV
79887	1	LATCH ASSY PLOW FORMED 09
78616	1	SPRING COMP SHLDR LATCH PLOW
79841	1	SPRING COMP LATCH PLOW
79582	1	GUIDE LIFT ROPE FMP
80680	2	SHCS M8x1.25x14 GR 12.9



Exploded view of assembly 79995



The following replacement part kits are available for purchase.

Rope Quick Release Pin Kit - 81271

Part Number	Qty.
35136	1
79582	1
80133	1
22491	1

Blade Attachment Hardware Kit - 81272

Part Number	Qty.
80589	2
80397	2
78182	2
78177	2
79469	2
79882	2
69807	2

Latch Service Kit - 81273

Part Number	Qty.
22491	1
80370	1
79841	1
79887	1
78616	1

Swivel Plate Service Kit - 81274

Part Number	Qty.
79583	6
69807	6
80370	2
22491	2
78475	1
77867	1

Contact your nearest WARN Dealer to order. To find a dealer nearest you, please call the WARN Dealer locator line at 1 800-910-1122