



INSTALLATION INSTRUCTIONS

Accessory

FUEL LID COVER
P/N 08P61-KYJ-200B

Application

CBR250R

Publication No.

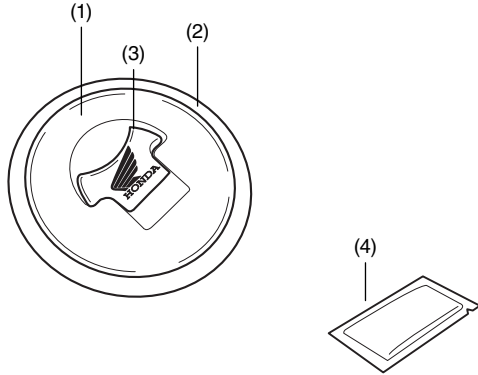
MII 13550

Issue Date

January 2011

Honda Dealer: Please give a copy of these instructions to your customer.

PARTS LIST



No.	Description	Qty
(1)	Fuel lid cover	1
(2)	Fuel lid ring	1
(3)	Cap cover	1
(4)	Alcohol pad	1

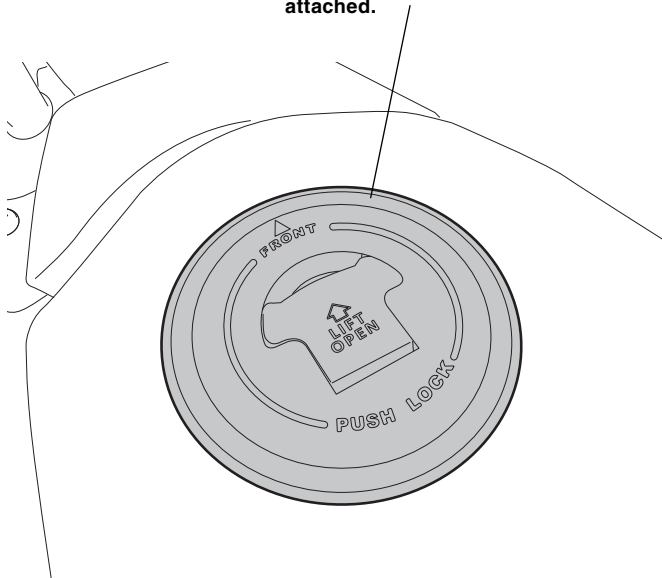
INSTALLATION

NOTE:

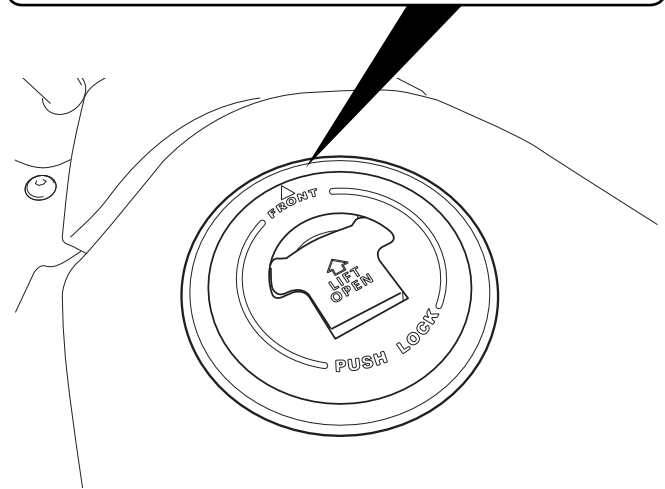
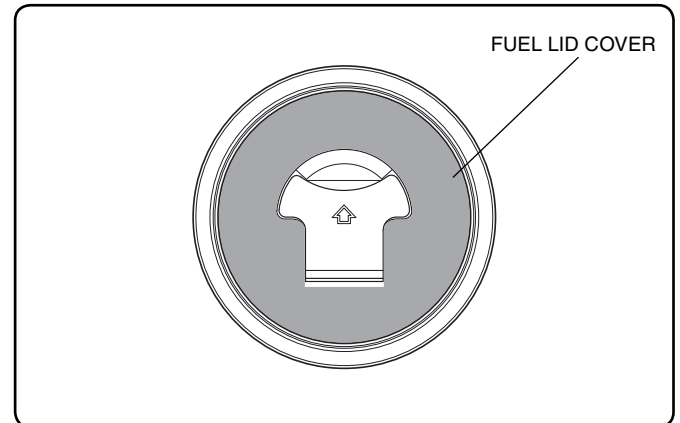
- Heat the bonding surfaces with a hair dryer if the ambient air temperature is below 70°F (21°C).
- The adhesive reaches full strength in 72 hours. Wait at least 24 hours before riding your motorcycle.

1. Clean the surface of the area shown using the alcohol pad.

ALCOHOL PAD
Thoroughly clean the area where the fuel lid cover will be attached.



2. Attach the fuel lid cover by carefully aligning its inner and outer edges with the fuel lid.



3. Attach the fuel lid ring and cap cover, making sure their contours are parallel with the edges of the corresponding motorcycle parts.

