

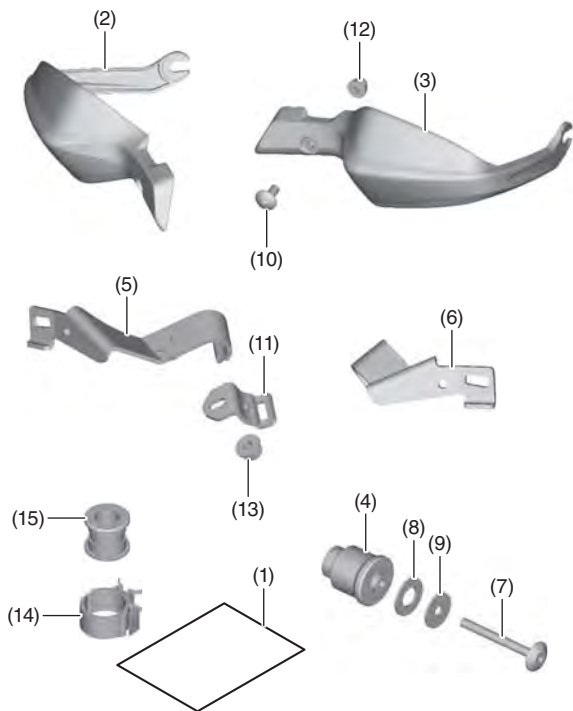
HONDA

INSTALLATION INSTRUCTIONS

Accessory	Application	Publication No.
HANDGUARD P/N 08P70-MKA-D80	After '15 NC700X/XD, NC750X/XD	MII 15736
		Issue Date
		March 2016

Honda Dealer: Please give a copy of these instructions to your customer.

PARTS LIST



No.	Description	Qty
(1)	Installation Instruction URL	1
(2)	Right handguard	1
(3)	Left handguard	1
(4)	Handlebar end weight	2
(5)	Right handguard stay	1
(6)	Left handguard stay	1
(7)	Socket bolt A (6 x 60 mm)	2
(8)	Rubber washer	2
(9)	Washer	2
(10)	Socket bolt B (6 x 14 mm)	2
(11)	Handguard band	2
(12)	6 mm cap nut	2
(13)	6 mm U nut	2
(14)	Cable clip	1
(15)	Rubber mount	1

TOOLS REQUIRED

Box-end wrench (10 mm)

Hex wrench (5 mm)

Scissors

Torque wrench

TORQUE INFORMATION

Refer to the Service Manual for the torque values of the removed parts. Unless otherwise indicated, follow the specified torque in the chart.

Item	N-m	kgf-m	lbf-ft
6 mm socket bolt	10	1.0	7

INSTALLATION

▲ CAUTION

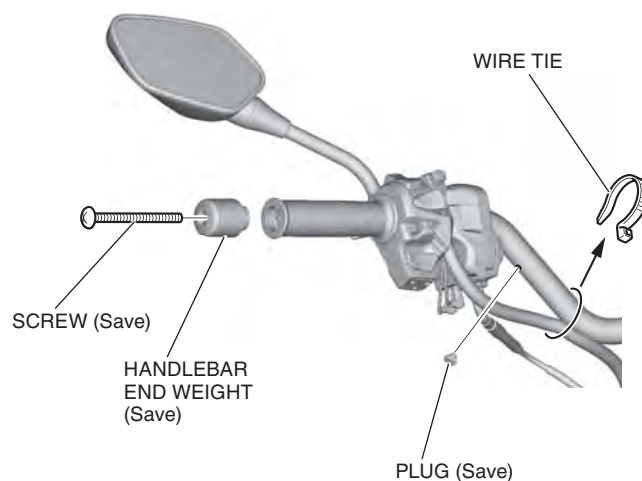
- To prevent burns, allow the engine, exhaust system, radiator, etc. to cool before installing the accessory.

NOTE:

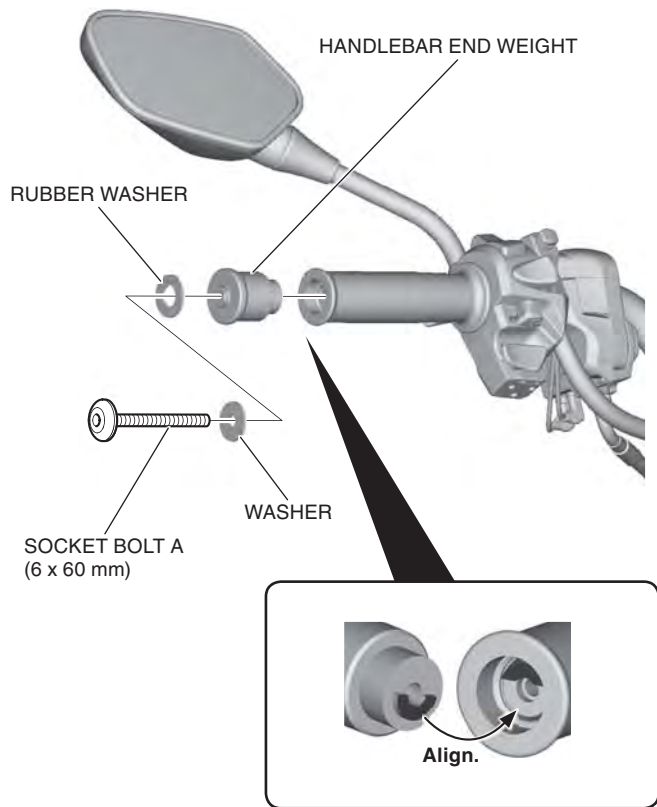
- These instructions are for the NC700XD model, but other types are similar. If there are any differences, each difference will be described in these instructions.
- Be sure the throttle opens smoothly and closes automatically in any steering position after installation of the right handguard.
- Reinstall the removed parts on the motorcycle and make sure that the wires and harnesses are not pinched.

- Remove the handlebar end weight, plug, and wire tie as shown.

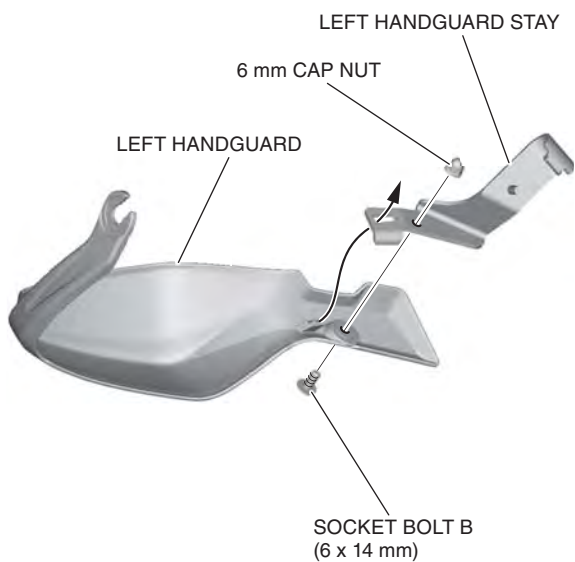
- Repeat on the right side.**



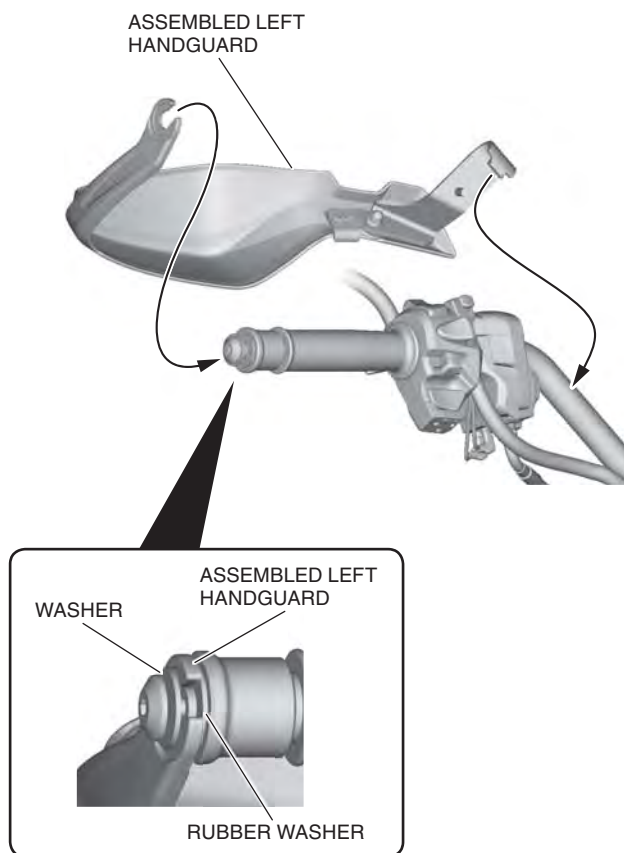
2. Loosely install the handlebar end weight as shown.
- Repeat on the right side.



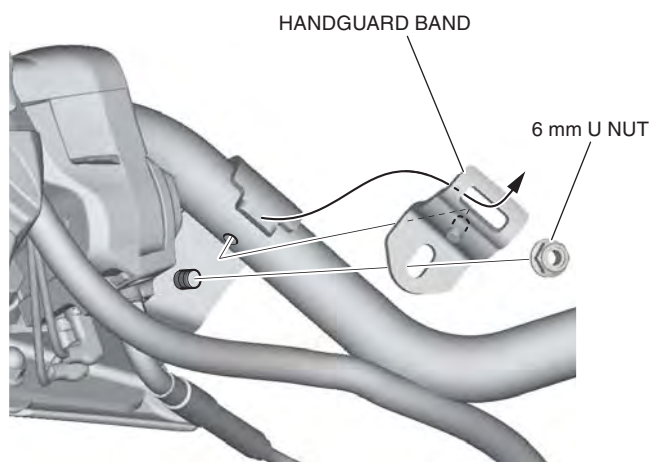
3. Install the left handguard stay to the left handguard as shown.
- Repeat on the right side.



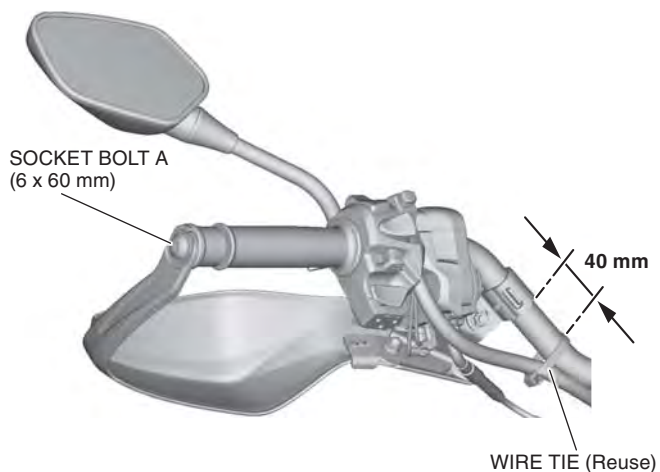
4. Install the assembled left handguard as shown.
- Repeat on the right side.



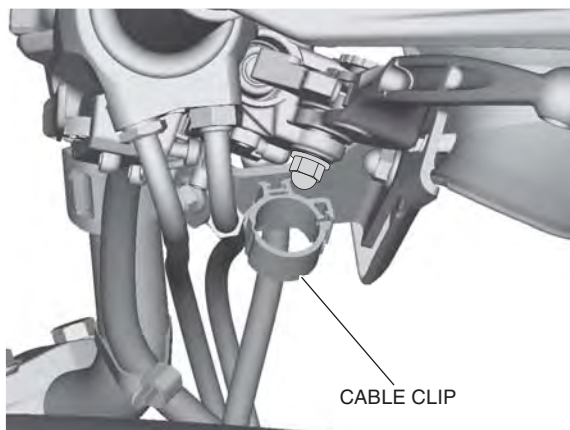
5. Install the handguard band as shown.
- Repeat on the right side.



6. Install the wire tie as shown.
Tighten the socket bolt A (6 x 60 mm).
 - **Repeat on the right side.**



7. Perform the following for NC700XD model only:
Install the cable clip to the right handguard stay as shown.



8. Perform the following for NC700XD model only:
Cut the rubber mount and set it on the throttle cables.
9. Install the rubber mount into the cable clip as shown.
10. Clamp the cable clip.

