



INSTALLATION INSTRUCTIONS

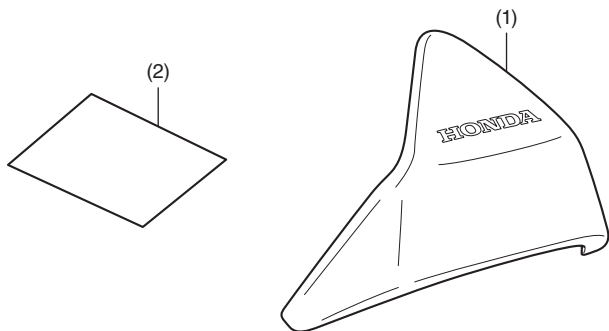
Accessory
TANK PAD
P/N 08P71-MJW-J00

Application
After '15
CB500F/FA
CBR500R/RA

Publication No.
MII 15802
Issue Date
March 2016

Honda Dealer: Please give a copy of these instructions to your customer.

PARTS LIST



No.	Description	Qty
(1)	Fuel tank pad	1
(2)	Installation Instruction URL	1

SUPPLIES REQUIRED

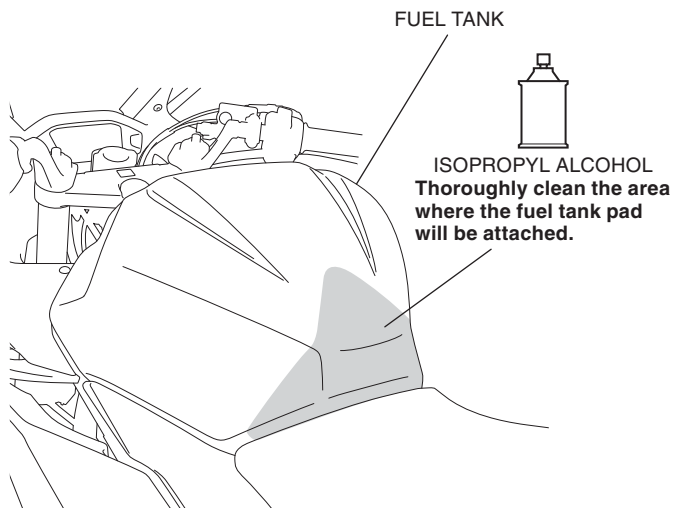
- Masking tape
- Isopropyl alcohol
- Shop towel

INSTALLATION

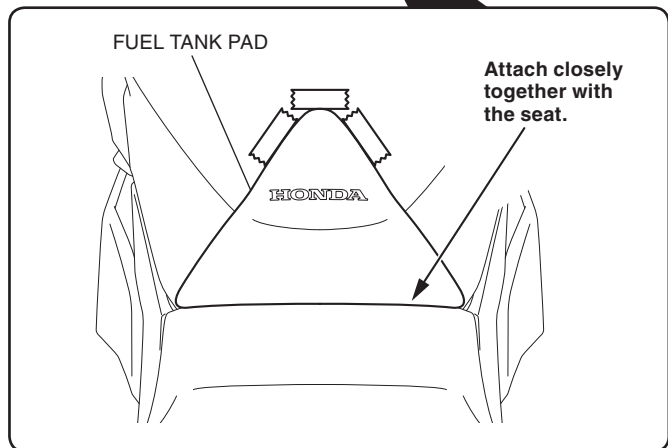
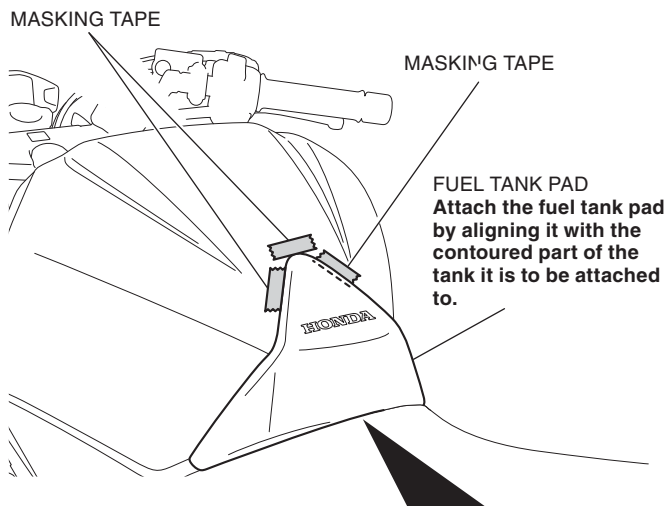
NOTE:

- Heat the bonding surfaces with a hair dryer if the ambient air temperature is below 70°F (21°C).
- The adhesive reaches full strength in 72 hours. Wait at least 24 hours before riding the motorcycle.

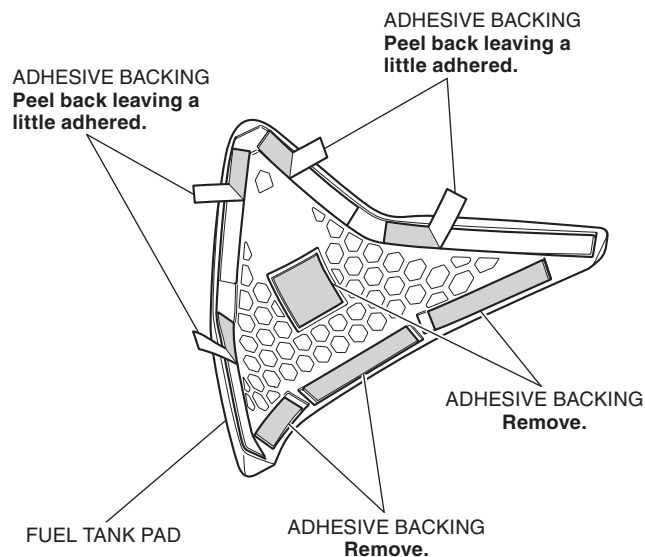
- Clean the surface of the area shown using isopropyl alcohol.



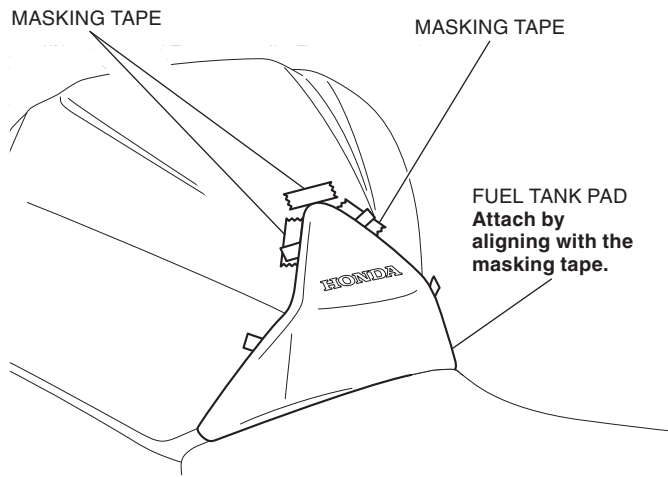
- Arrange the fuel tank pad as shown and mark with masking tape.



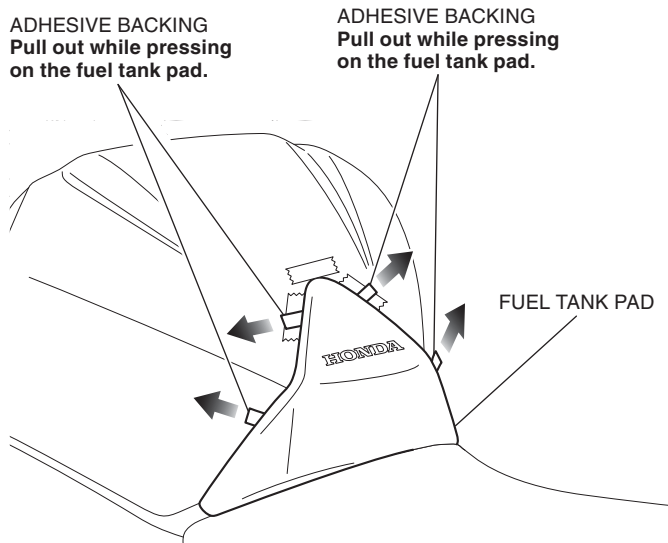
- Peel off the adhesive backings on the fuel tank pad as shown.



4. Attach the fuel tank pad as shown.



5. Remove the adhesive backing as shown.



6. Remove the masking tape and apply adequate pressure to the attached fuel tank pad.