

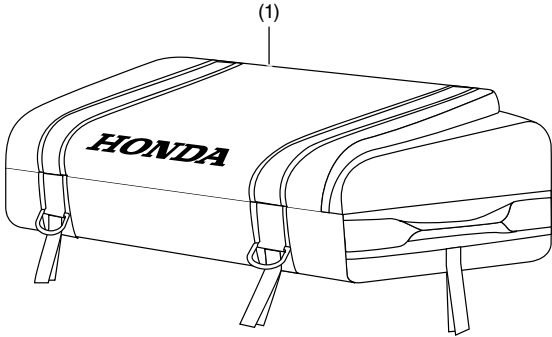


# INSTALLATION INSTRUCTIONS

Accessory	Application	Publication No.
RACK BAG, FRONT P/N 0SL56-HR3-100A	TRX680 Rincon	MII 15067
	TRX500 Foreman	Issue Date
	TRX500 Rubicon	October 2014
	TRX420 Rancher	
	TRX250 Recon	

Honda Dealer: Please give a copy of these instructions to your customer.

## PARTS LIST



No.	Description	Qty
(1)	Rack bag, Front	1

## USE AND CARE INFORMATION

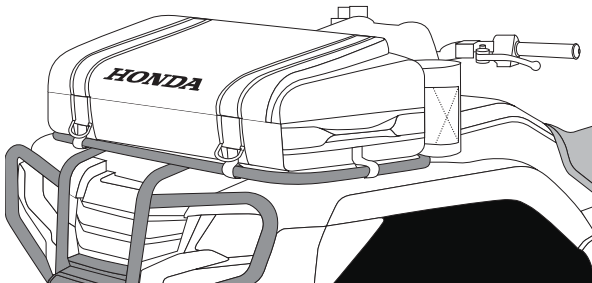
- Check that the rack bag is mounted securely on the ATV before riding.
- On models equipped with an assist headlight, turn off the assist light when the front rack bag is installed to avoid headlight glare being reflected into the rider's eyes.

### NOTE:

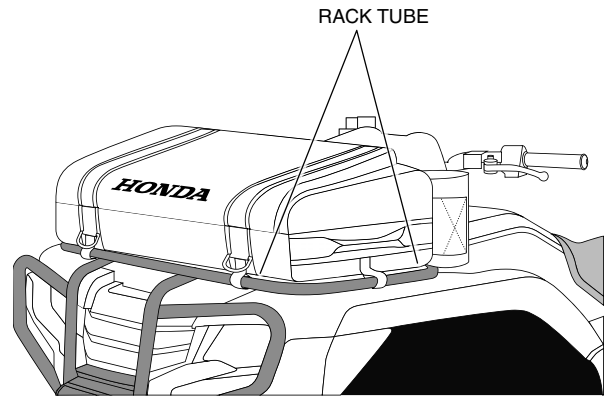
- This accessory is NOT fully water resistant.

## INSTALLATION

1. Center the bag on the ATV front rack.



2. Identify the tubes that the bag will anchor to on the front rack. Ensure that all hook and loop straps will reach a secure position on the rack.



3. Secure each hook and loop strap around the rack tube. Make sure the bag is evenly tensioned all the way around.

