

Disc 08.A871.10

Disc technical data

Diameter (Diameter)
302 mm

Overall height (A)
60,8 mm

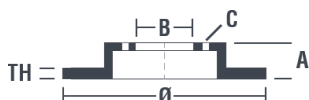
Centring diameter (B)
64,2 mm

Number of holes (C)
5

Thickness (TH)
10 mm

Minimum thickness
8 mm

Tightening torque
108 Nm

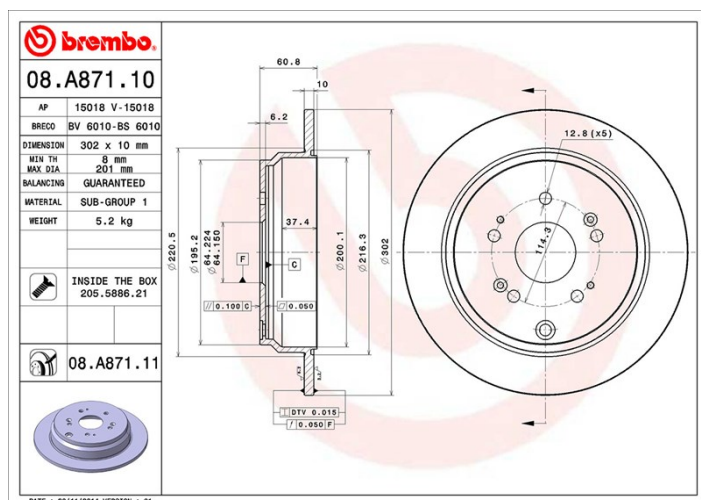


Brand part numbers

Brembo
08.A871.10

AP
15018

Breco
BS 6010



Technical specifications

Disc with fixing screw

By supplying the fixing screw in the disc box, Brembo provides extra help to the mechanic if the original screw is rusty or worn to such an extent as to prevent or make it difficult to reuse.



Compatible vehicles

HONDA

Model	Type	Kw	Year
CR-V III (RE)	2.0 i 4WD	110	01/07 -
CR-V III (RE)	2.2 i-CTDi 4WD	103	01/07 -
CR-V III (RE)	2.2 i-DTEC 4WD	110	01/07 -
CR-V III (RE)	2.4	125	04/07 -
CR-V III (RE)	2.4 4WD	124	09/06 -
CR-V III (RE)	2.4 i-Vtec 4WD	125	04/07 -
CR-V III (RE)	2.4 i-VTEC 4WD	122	09/09 -
CR-V III (RE)	2.4 i-VTEC 4WD	118	10/06 -

CR-V IV (RE)	1.6 i-DTEC	88	10/13 -
CR-V IV (RE)	2.0	110	01/12 -
CR-V IV (RE)	2.0	114	10/12 -
CR-V IV (RE)	2.0 AWD	114	10/12 -
CR-V IV (RE)	2.2 i-DTEC AWD	110	10/12 -
CR-V IV (RE)	2.4	138	01/12 -
CR-V IV (RE)	2.4 AWD	132	01/12 -
CR-V IV (RE)	2.4 AWD	140	01/12 -

OE Part number

Compatible OE codes

HONDA	42510SWWG01
HONDA	42510T1GG00
HONDA	42510T1GG01