



## INSTALLATION INSTRUCTIONS

Accessory  
**ROOF RACK**  
 P/N 08L02-TG7-100C

Application  
**2021 PILOT**

Publications No.  
**VERSION 1**  
 Issue Date  
**JUN 2020**

### PARTS LIST

Front roof rack  
 (long)



Rear roof rack  
 (short)



4 Roof rack covers



8 TORX nuts



4 Molding clips



2 Roof molding cover clips  
 (Some may not be used)



4 Self-tapping screws



4 Spring nuts



### TOOLS AND SUPPLIES REQUIRED

Phillips screwdriver

Ratchet

Masking tape

Torque wrench

Ruler

Tape measure

Felt-tip pen

Putty knife

File

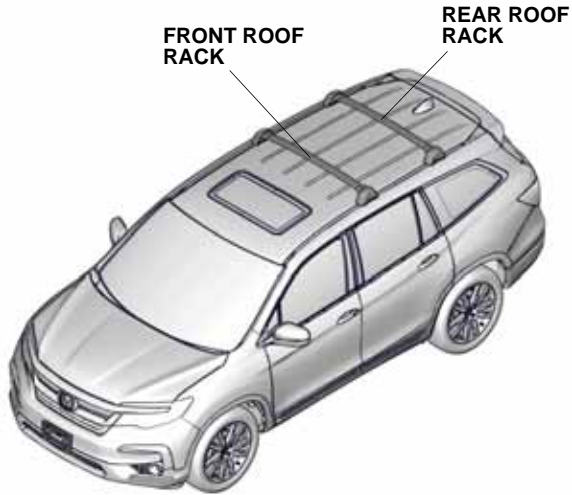
T-40 TORX bit

Eye protection (face shield, safety goggles, etc.)

*The following tools are available through the Honda Tool and Equipment Program. On the iN, click on Service > Service Bay > Tool and Equipment Program, then enter the number under "Search." Or, call 888-424-6857.*

- Trim Tool Set (T/N SOJATP2014)
- Plastic Trim Tool (T/N SILTRIMTL10)
- Air Saw (T/N AT192A)

## Illustration of the Roof Rack on the Vehicle



QH32901AN

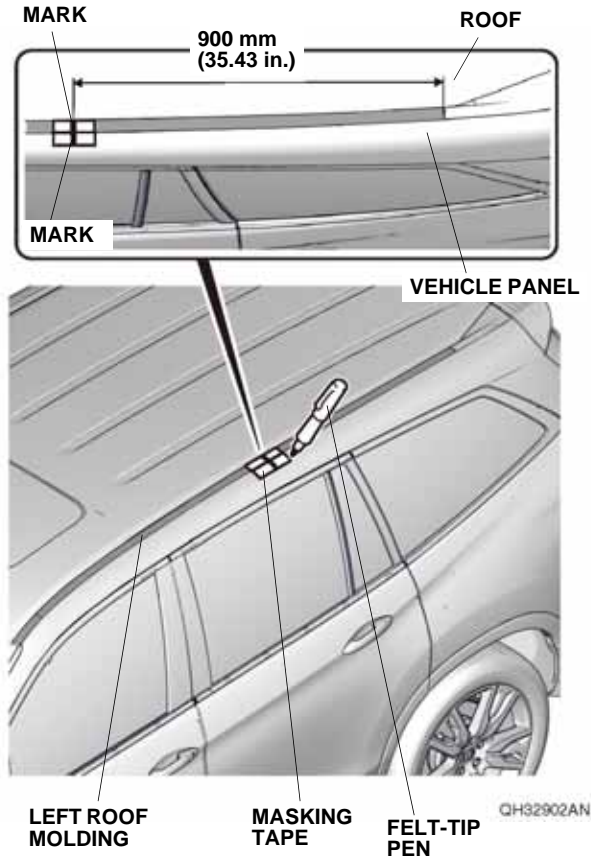
## INSTALLATION

**Customer Information:** The information in this installation instruction is intended for use only by skilled technicians who have the proper tools, equipment, and training to correctly and safely add equipment to your vehicle. These procedures should not be attempted by “do-it-yourselfers.”

### NOTE:

- Be extremely careful not to damage the roof and other finished surfaces of the body when installing the roof rack.
- The weight of the cargo must not exceed the maximum weight capacity of 165 lbs (75 kg).

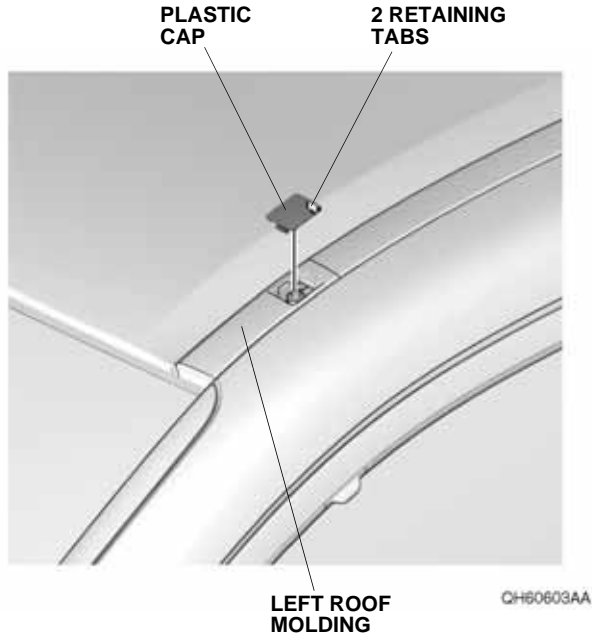
1. Apply one piece of masking tape to the vehicle panel and one to the left roof molding as shown. Using a felt-tip pen, mark a line in the center on each piece of masking tape as shown.



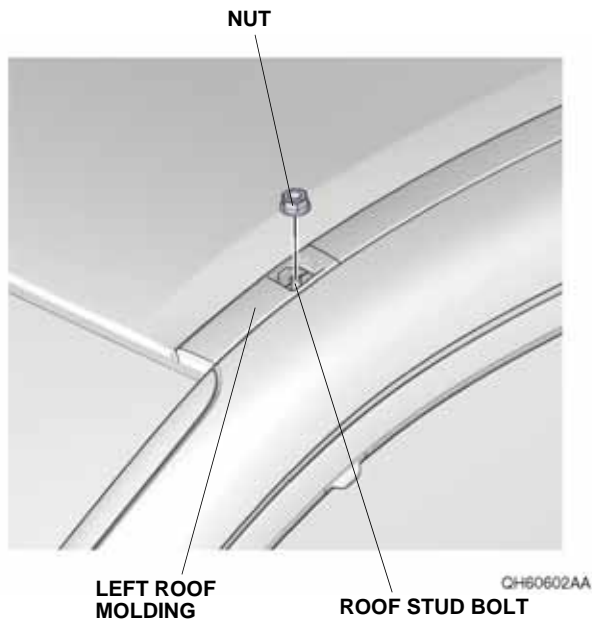
If the roof molding is equipped with a plastic cap, go to step 2; otherwise, go to step 4.

## With plastic cap

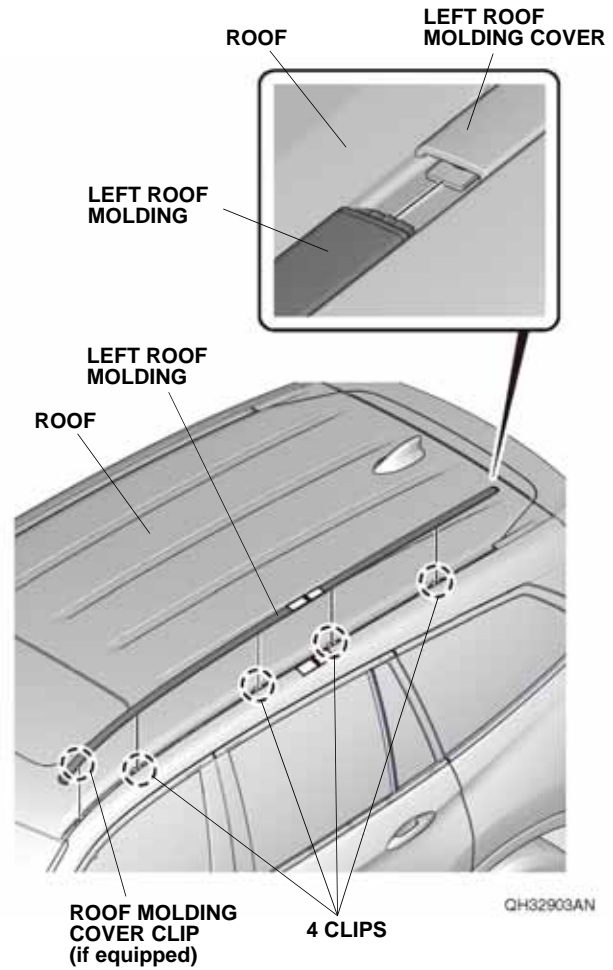
2. Remove the plastic cap from the left roof molding as shown.



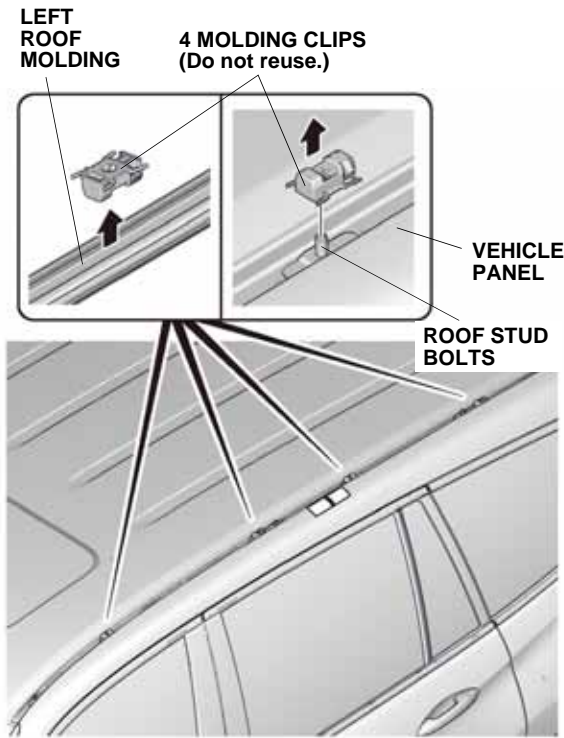
3. Remove the nut from the roof stud bolt.



4. Remove the left roof molding as shown.

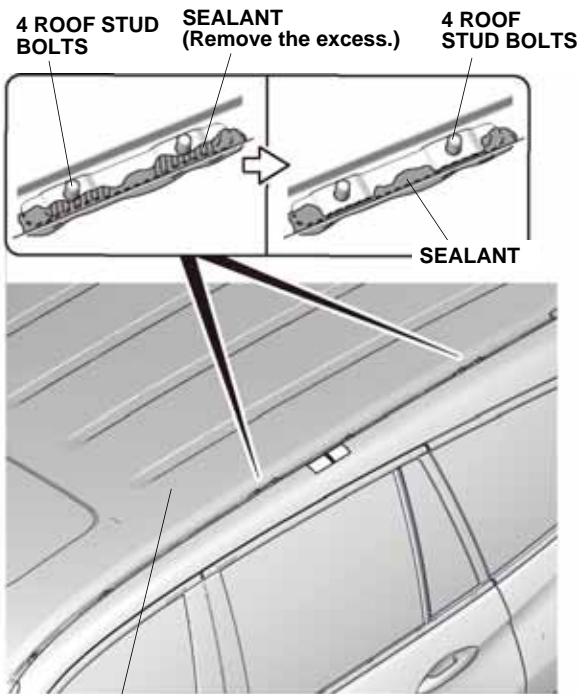


5. Remove the four molding clips from either the left roof molding or the roof stud bolts.



QH32904AN

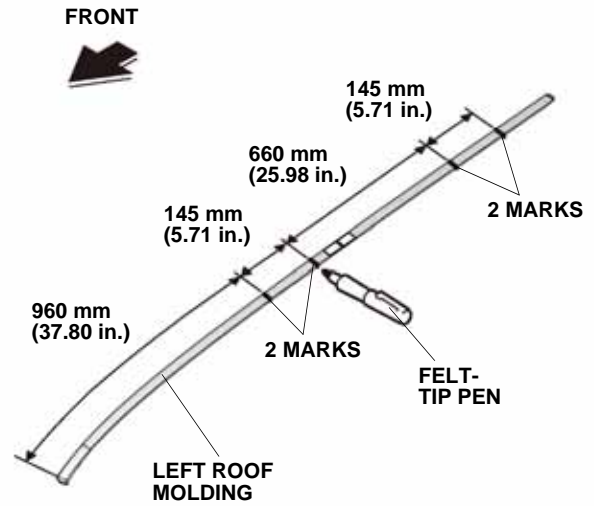
6. Using a putty knife, remove any excess sealant.



ROOF

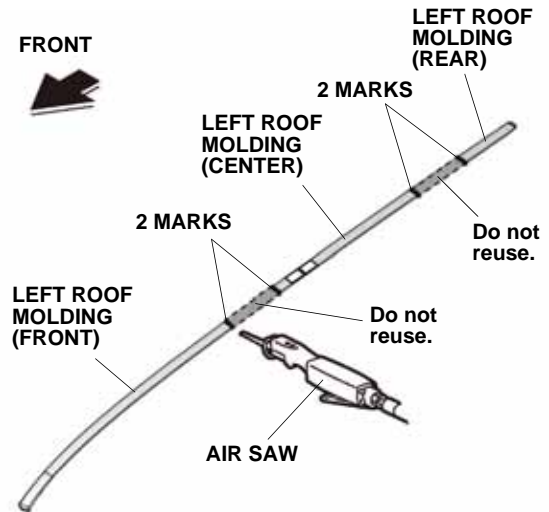
QH32905AN

7. Using a felt-tip pen, mark the left roof molding as shown.



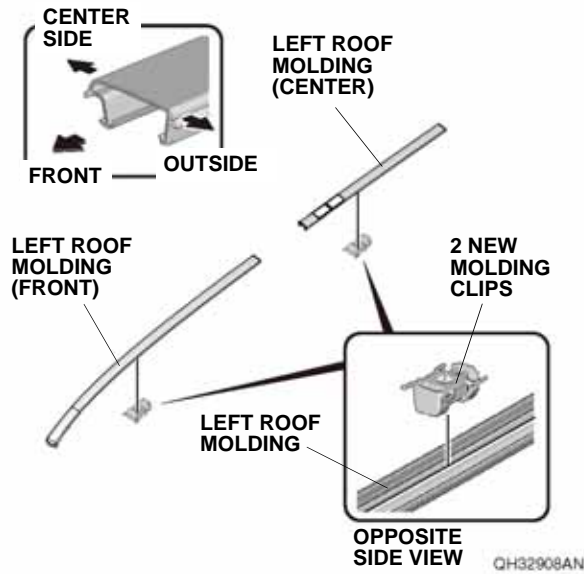
QH32906AN

8. While wearing eye protection, use an air saw to cut the left roof molding at the four marks. Remove any burrs.



QH32907AN

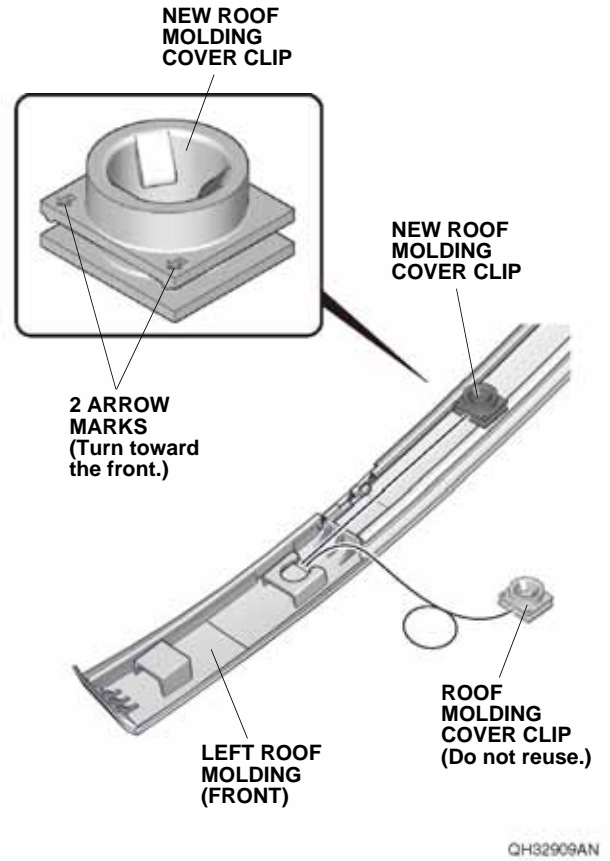
9. Install the two new molding clips to the left roof molding.



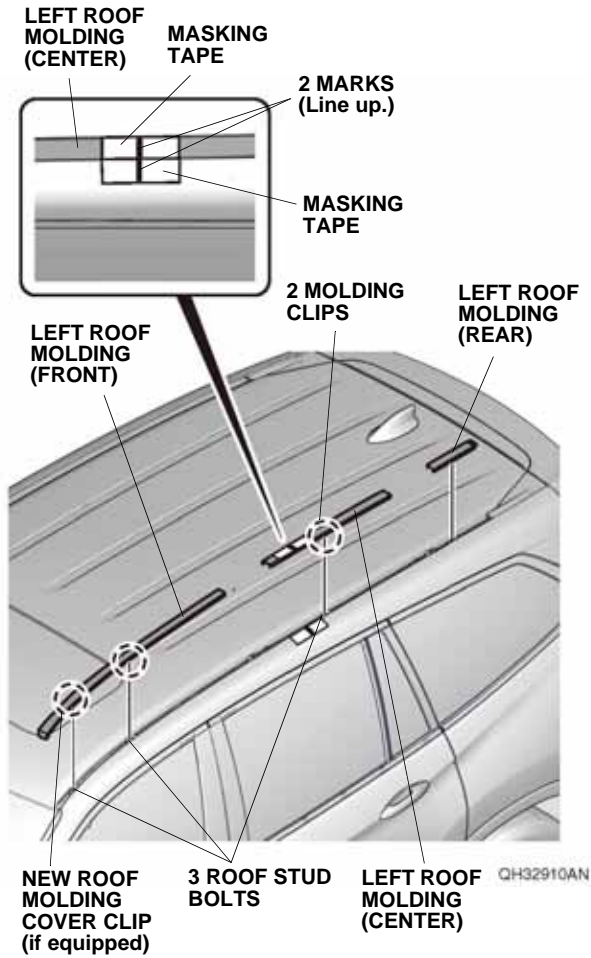
If the roof molding is equipped with a plastic cap, go to step 11; otherwise, continue with step 10.

### Without plastic cap

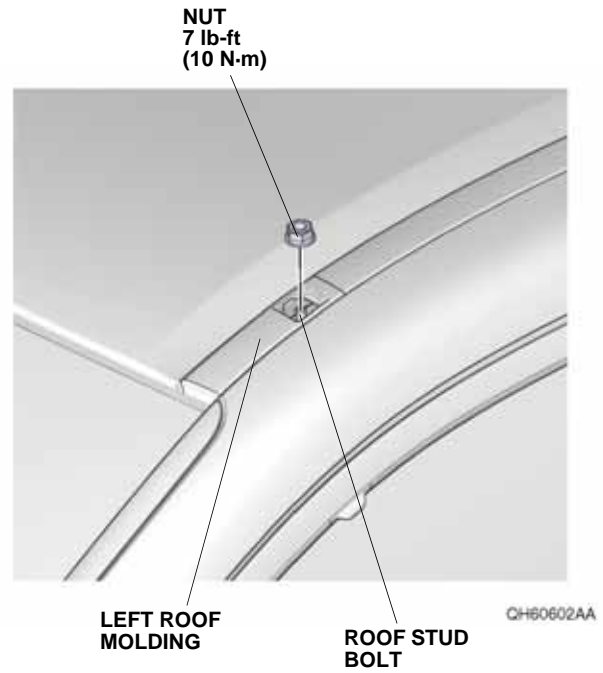
10. Remove the roof molding cover clip, and install the new roof molding cover clip.  
NOTE: Make sure to install the new roof molding cover clip with the arrows pointing forward.



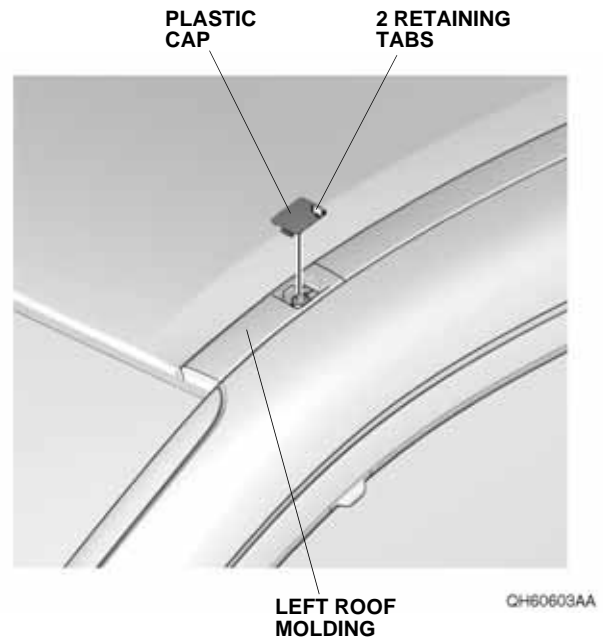
11. Install the left roof moldings with two molding clips, and one roof molding cover clip. Line up the marks on the two pieces of masking tape made in step 1 on the vehicle panel and left roof molding.  
 NOTE: If the roof molding is not equipped with plastic cap, go to step 14.



12. Install the nut to the roof stud bolt. Torque the nut to 7 lb-ft (10 N-m).



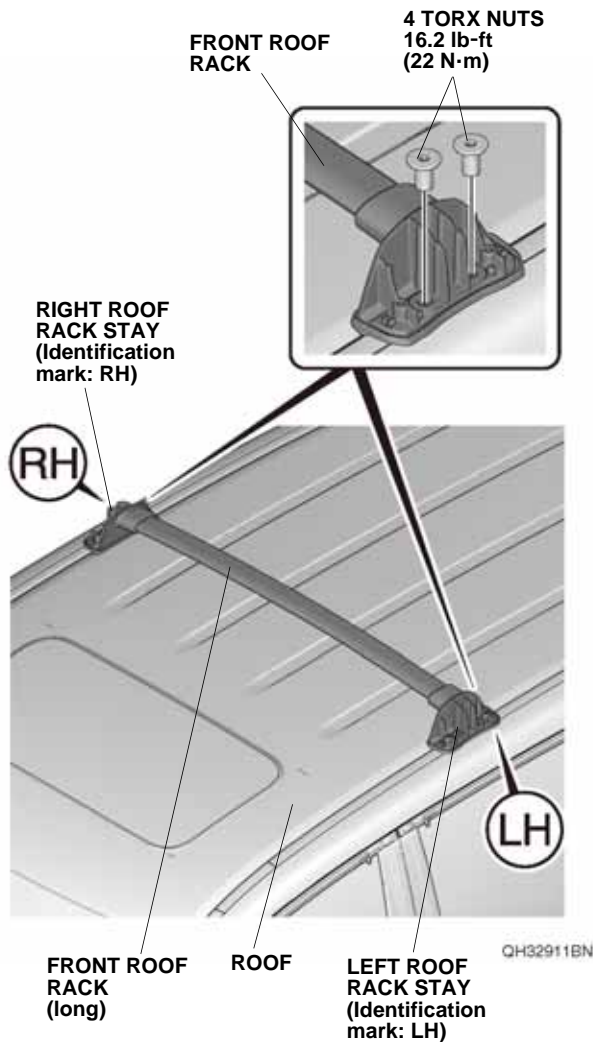
13. Install the plastic cap to the left roof molding with two retaining tabs.



14. Repeat steps 1 through 13 on the right side of the vehicle.

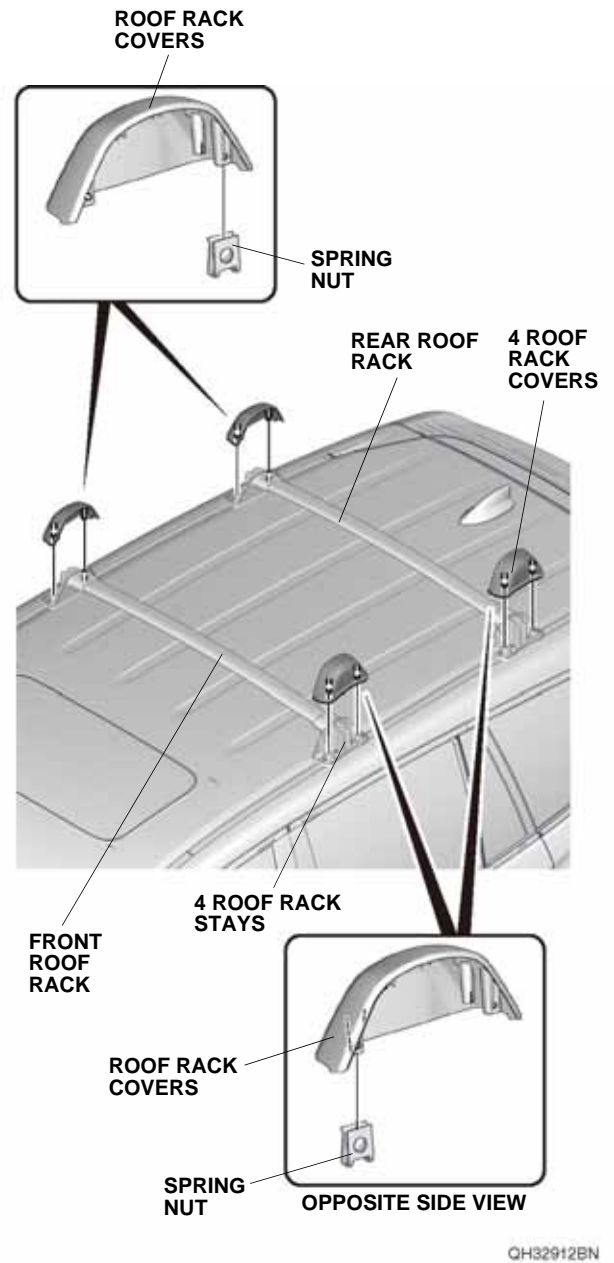


15. Position the front roof rack over the four roof stud bolts on the roof.  
 NOTE: Make sure to check the shape and identification marks of the front roof rack before installation.

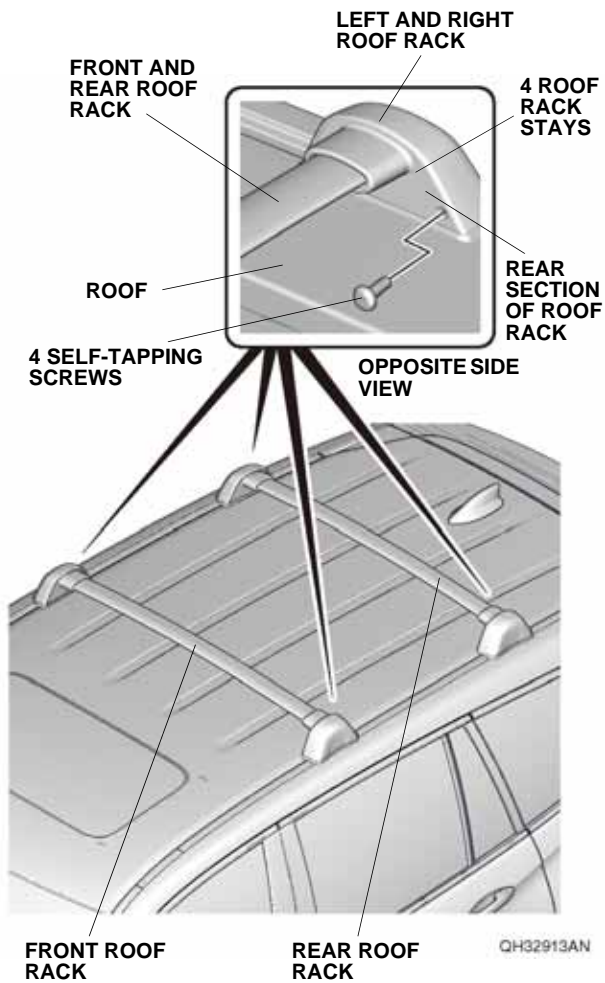


16. Secure the front roof rack with four TORX nuts. Torque the TORX nuts to 16.2 lb-ft (22 N-m).  
 17. Repeat steps 15 and 16 on the rear roof rack.

18. Install one spring nut to each crossbar cover as shown. Then, install the covers to the crossbar stays.  
 NOTE: Make sure to install the spring nuts with the large hole facing away from the cover.



19. Secure each roof rack cover to the four roof rack stays with one self-tapping screw as shown.





Put this information in the glove box for future reference.

## USE AND CARE

Distribute the weight of the cargo evenly, and do not exceed the maximum weight capacity of 165 lbs (75 kg).