



## INSTALLATION INSTRUCTIONS

Accessory

MOONROOF VISOR  
P/N 08R01-TG7-102

Application

2021 PASSPORT

Publications No.

VERSION 1

Issue Date

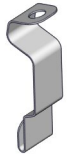
SEP 2020

### PARTS LIST

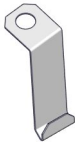
Moonroof visor



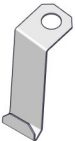
2 Brackets A (marked TG7 A)



Left bracket B (marked TLA-L B)



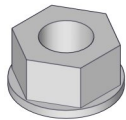
Right bracket B (marked TLA-R B)



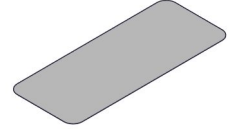
4 Screws



4 Nuts



4 Protective tapes



### TOOLS AND SUPPLIES REQUIRED

Phillips screwdriver

10 mm Combination wrench

Ruler

Isopropyl alcohol

Shop towel

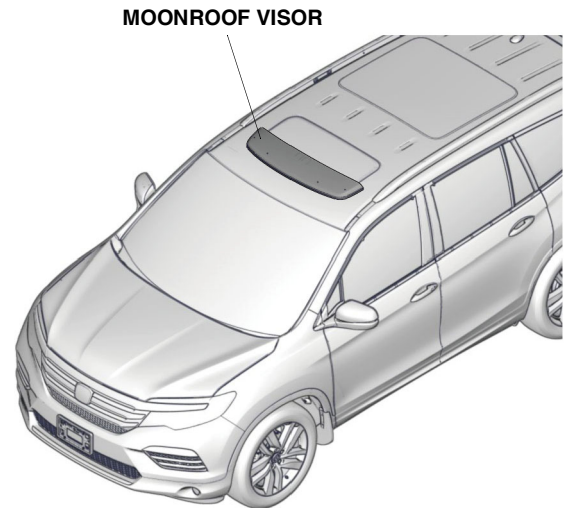
Masking tape

Felt-tip pen

*The following tool is available through the Honda Tool and Equipment Program. On the iN, click on: Service > Service Bay > Tool and Equipment Program, then enter the number under "Search". Or, call 888-424-6857.*

Torque Screwdriver (T/N CDI401SM)

### Illustration of the Moonroof Visor on the Vehicle



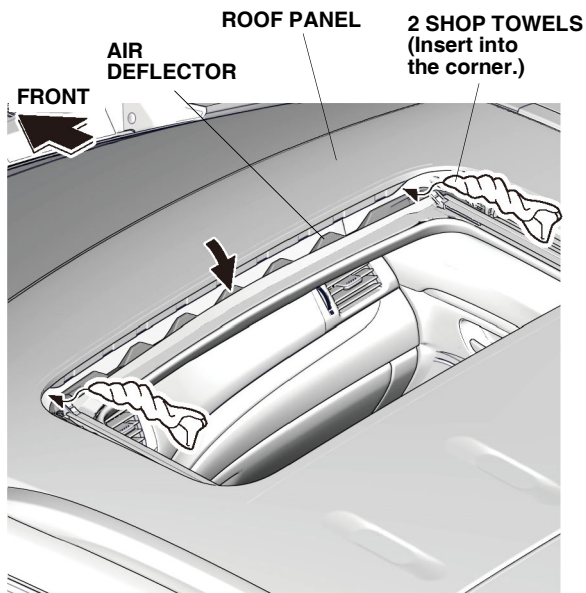
QDN1009AA

## INSTALLATION

**Customer Information:** The information in this installation instruction is intended for use only by skilled technicians who have the proper tools, equipment, and training to correctly and safely add equipment to your vehicle. These procedures should not be attempted by “do-it-yourselfers.”

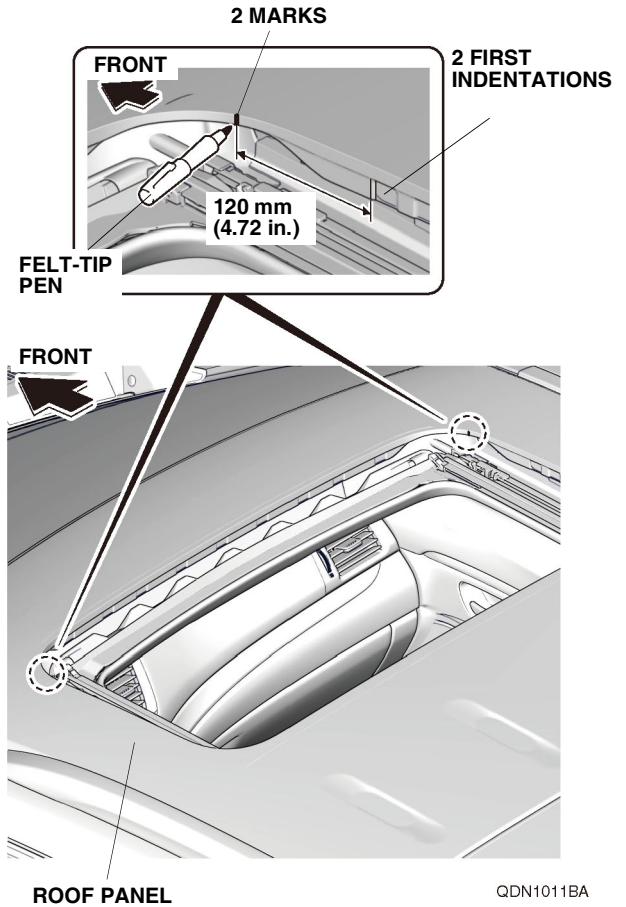
### NOTE:

- Be careful not to damage the body paint finish.
  - This kit should be installed only if the ambient air temperature is 60°F (15°C) or above.
  - To allow the adhesive to cure, do not wash the vehicle for 24 hours. Make sure your customer is aware of this.
  - Clean the areas to be covered.
1. Open the moonroof. Roll up two shop towels, and insert them between the roof panel and air deflector to lower the air deflector. Be careful not to damage the air deflector.



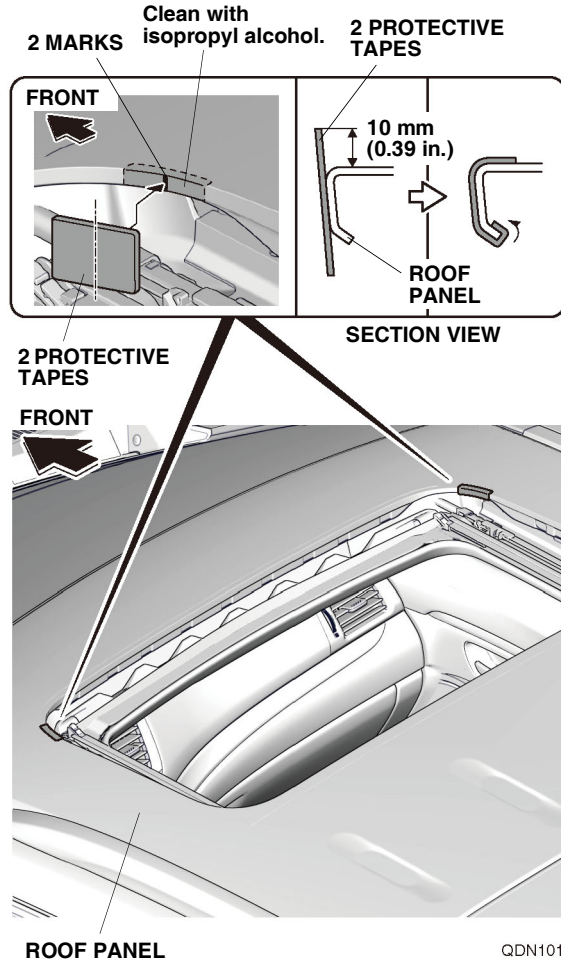
QDN1010AA

2. Measure and make two marks on the roof panel at the measurements shown.



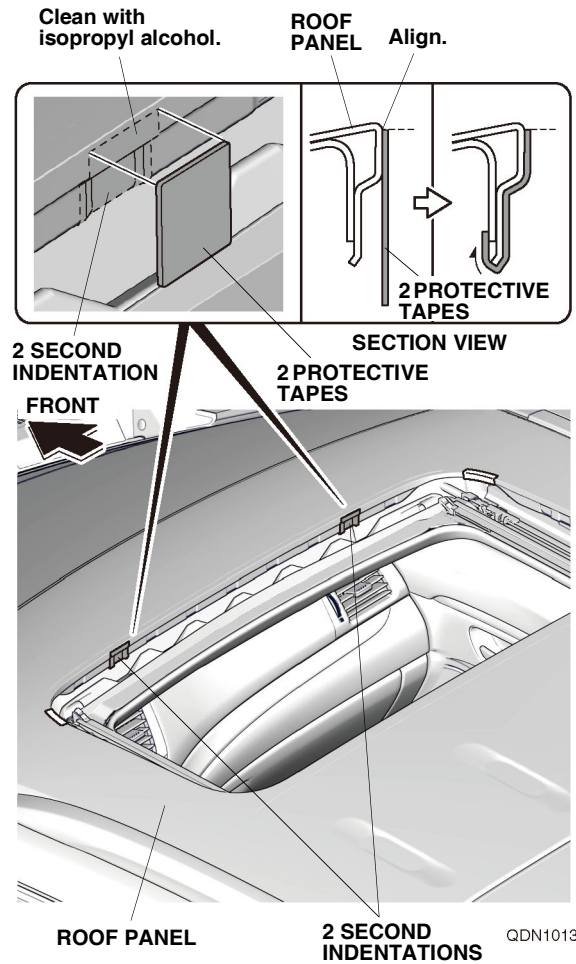
QDN1011BA

3. Using isopropyl alcohol on a shop towel, clean the roof panel at each of the two marks you have made but do not wipe off the marks.



4. Remove the adhesive backing from the two protective tapes, and attach one to the roof panel at each of the two marks you made. Wrap 10 mm (0.39 in.) of protective tape around the lip of the moonroof opening.

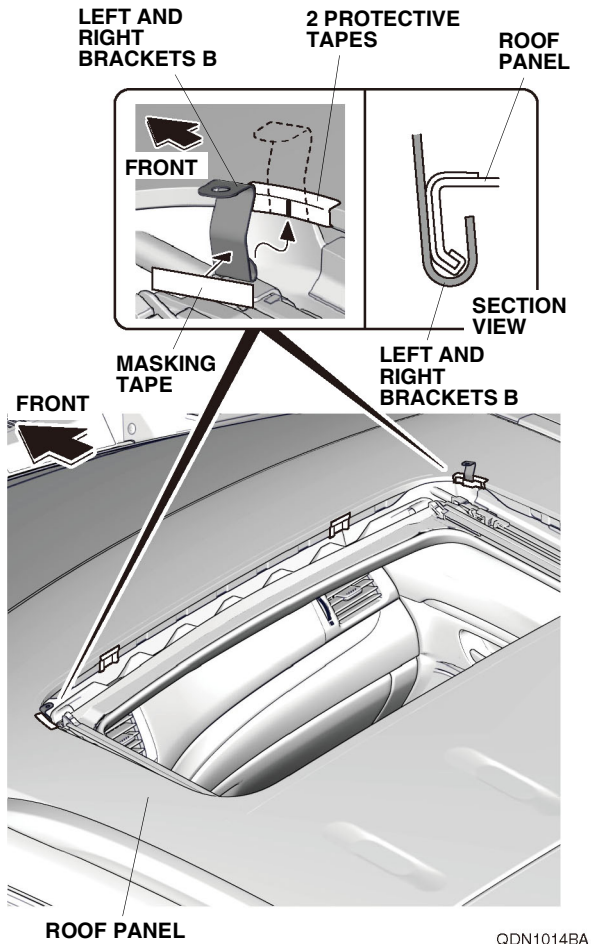
5. Locate the second indentations from the right front corner and left front corner of the moonroof opening. Using isopropyl alcohol on a shop towel, clean the roof panel where the protective tapes will attach.



6. Remove the adhesive backing from the two protective tapes, and attach one to the roof panel at each second indentation.

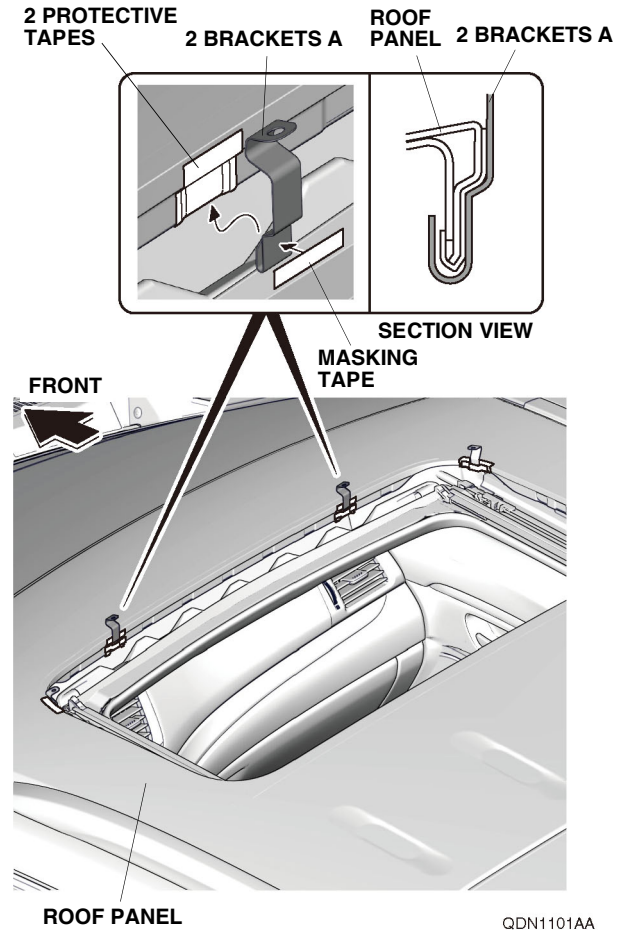
7. Place the left and right brackets B into position over the two protective tapes and around the lip of the roof panel, and tape them into position with the strips of masking tape.

NOTE: Be careful not to crease the protective tape.

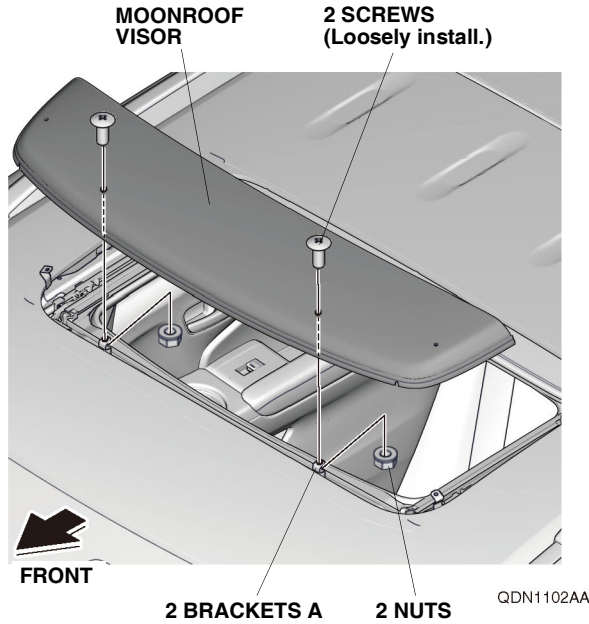


8. Place the two brackets A into position over the two protective tapes and around the lip of the roof panel, and tape them into position with the strips of masking tape. Make sure to line up the lower end of the brackets A with the second indentation.

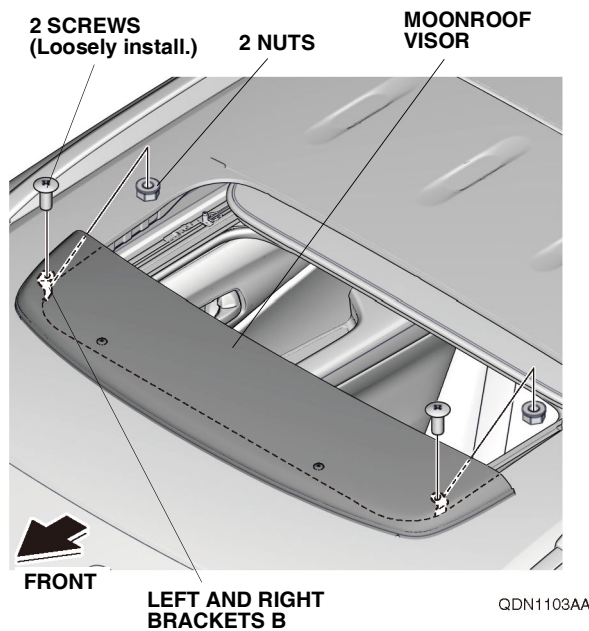
NOTE: Be careful not to crease the protective tape.



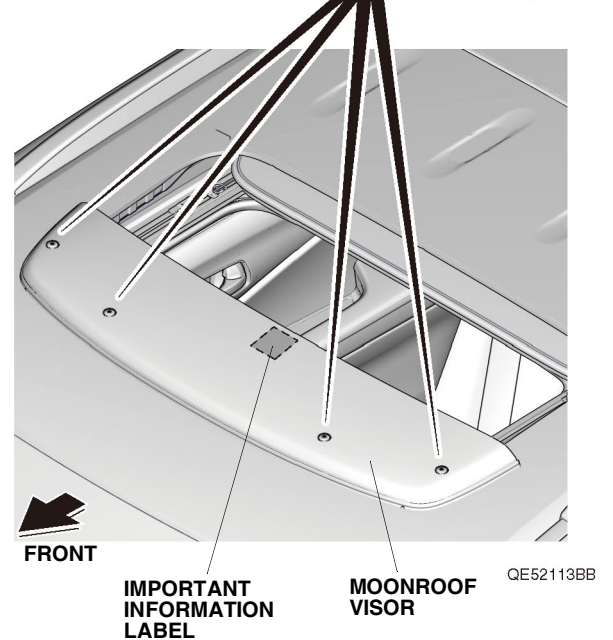
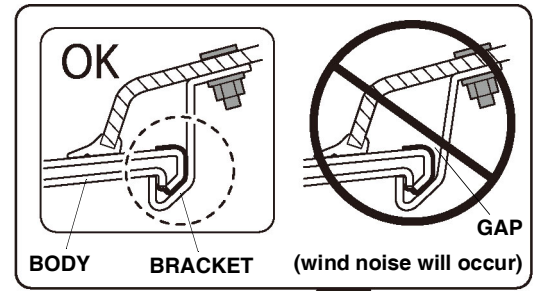
9. Set the moonroof visor on the vehicle roof in front of the moonroof opening, and adjust its position so the holes in the moonroof visor are aligned with the bracket A holes. Loosely install the moonroof visor to the brackets A with two screws and two nuts. Remove the strips of masking tape from the brackets A.



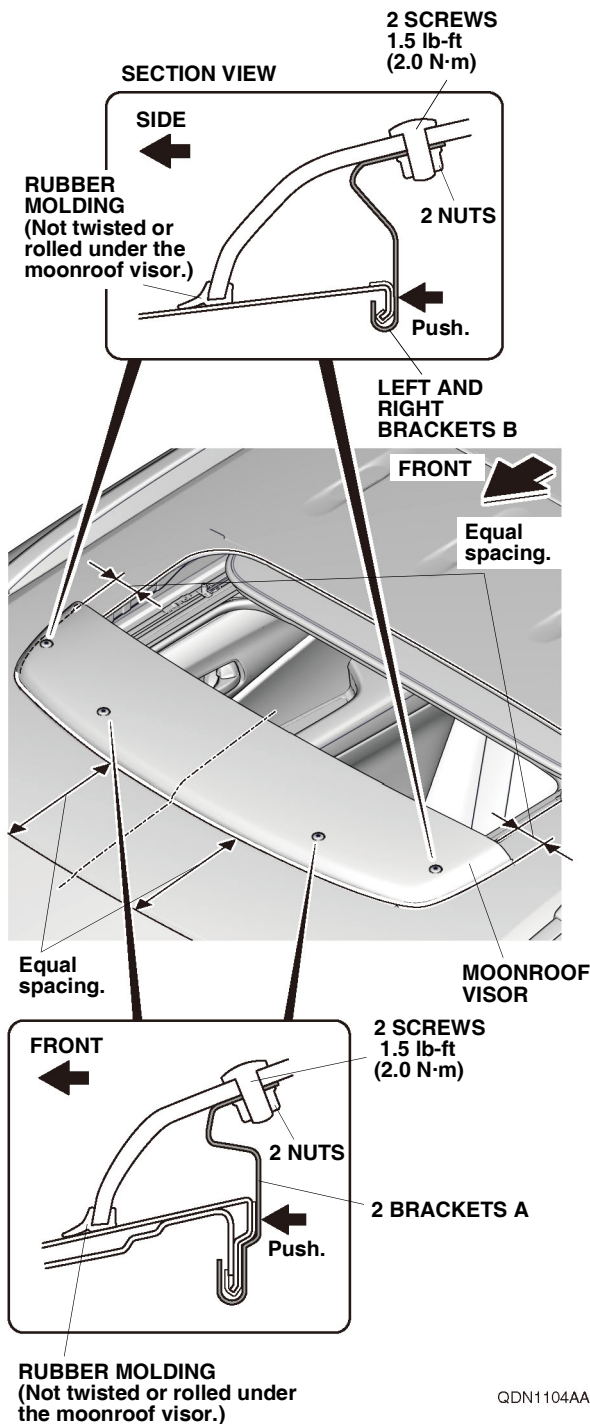
10. Loosely install the moonroof visor to the brackets B with two screws and two nuts. Remove the strips of masking tape from the brackets B.



11. Check the information of the IMPORTANT INFORMATION label. To avoid wind noise, install the brackets against the body.

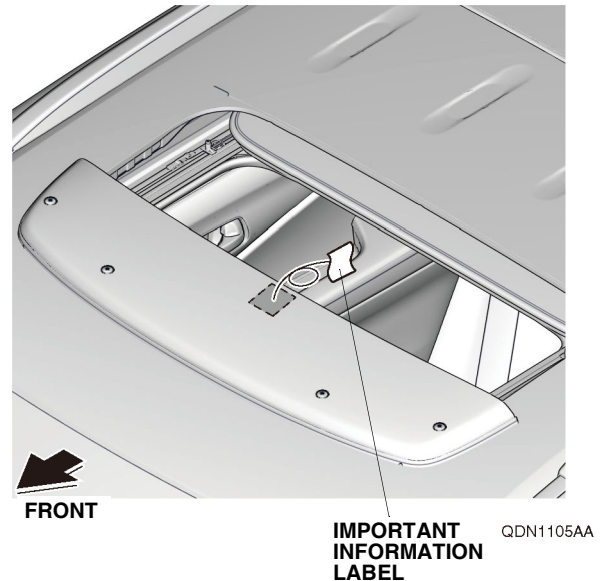


12. Position the moonroof visor with equal spacing on each side. Check that the rubber molding is not twisted or rolled under the moonroof visor.



13. Tighten two screws and two nuts on the front of the vehicle first, then tighten two screws and two nuts on each side. Tighten while applying pressure so that there is no gap between the roof panel and the brackets A and B. Torque the screws to 1.5 lb-ft (2.0 N·m).

14. Remove the shop towels inserted in step 1. Remove the IMPORTANT INFORMATION label.



## CARE OF THE MOONROOF VISOR

- To avoid damaging the surface, do not use organic solvents such as gasoline, ammonia-based cleaners or solvents to clean the moonroof visor.
- Clean with neutral detergent solution and water using a soft cloth or chamois.
- To remove fine scratches and restore the original luster, use Meguiar's Mirror Glaze plastic cleaner and polish or an equivalent high-quality plastic cleaner.